

# Signal tower Ø 35 mm BR 35



- modular design with six different colour elements and four mounting methods offers endless combination possibilities
- high protection system
- the light is amplified by the internal prisms of the impact-proof, heat-resistant and dustproof polycarbonate lens and can be easily identified from all sides
- appealing design with a diameter of just 35 mm
- the BR 35 signal tower is the attractive icing on the cake for machine and production lines
- for use in electronic production, in laboratories, in medical technology and in all other indoor applications
- the technically and economically optimum solution for every application
- registered design no. Nr. 9706583.8, utility patent no. 29716867.3

**IP 54**

Protection system

**+ 55 °C**  
**- 35 °C**

LED

**+ 45 °C**  
**- 35 °C**

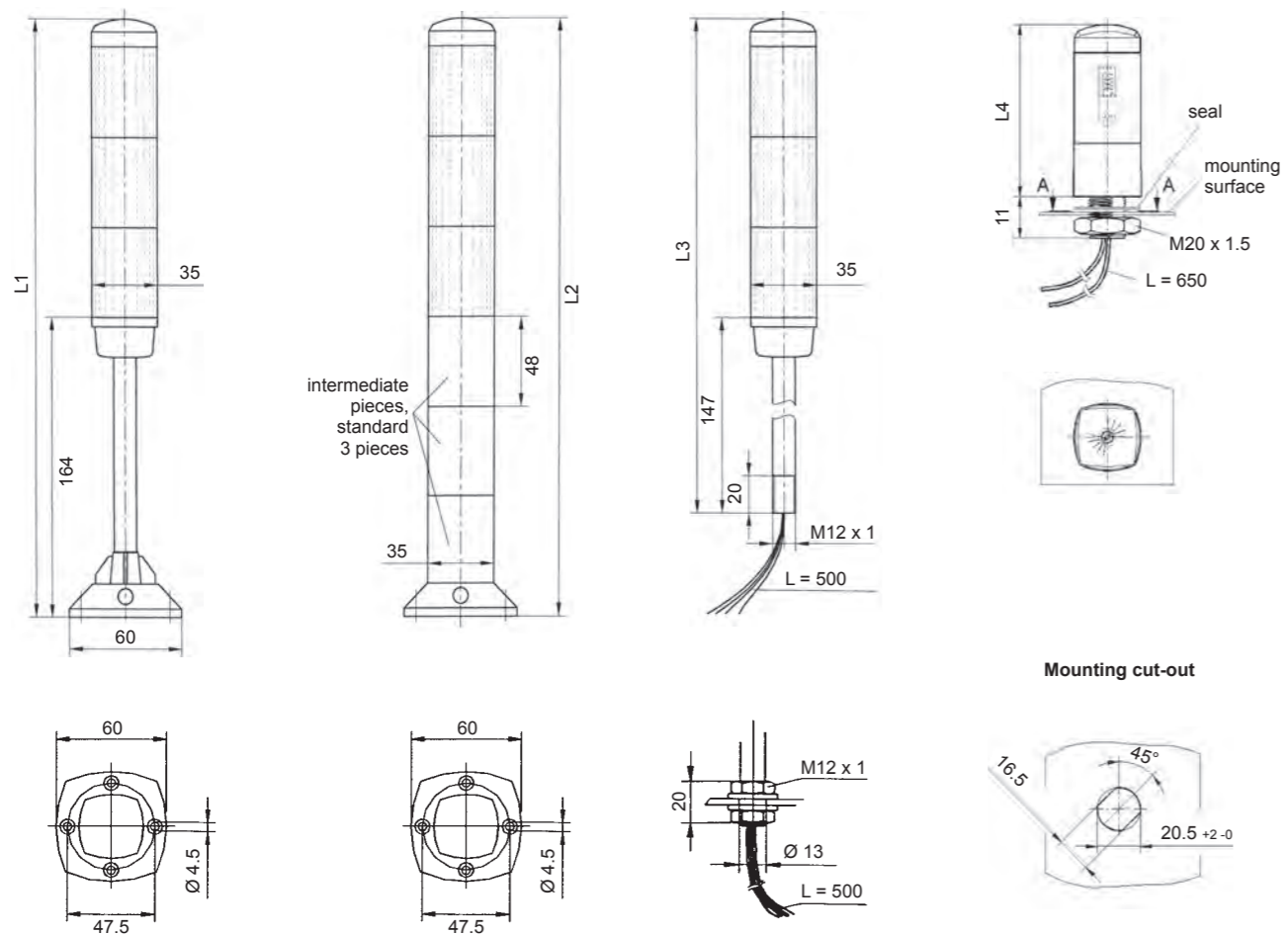
Filament lamp

Electrical data	BR 35			
Rated voltage	230 V AC	115 V AC	24 V DC	12 V DC
Rated frequency	50 Hz / 60 Hz	50 Hz / 60 Hz		
Operating range	- 15% / + 10%	- 15% / + 10%	- 15% / + 20%	- 15% / + 20%
Capacity of light source	3 W	3 W	4 W	4 W

Mechanical data	BR 35	
Light source	AC	BA9s, 3 W
	DC	BA9s, max. 4 W
Number of modules	max. 5 (max. 4 light modules and 1 sounder module)	
Lens colours	clear, yellow, amber, red, green, blue	
Sound pressure level, sounder module	75 dB (A)	
Operating temperature	LED	- 35 °C ... + 55 °C
	filament lamp	- 35 °C ... + 45 °C
Storage temperature	- 45 °C ... + 70 °C	
Relative humidity	90%	
Protection system according to EN 60529	IP 54	
Duty cycle	100%	
Servie life of light sources	approx. 1,000 h	
Material	housing	acrylonitrile butadiene styrene (ABS)
	lens	polycarbonate (PC)
	tube	stainless steel
Type of connection	cable length 0.5 m tube mounting; 0.65 panel mounting	
Terminal cross-section	single wire: 1.5 mm <sup>2</sup> , fine wire: 0.14 – 1.5 mm <sup>2</sup>	
Mounting information	just one screw is sufficient for exchanging beacon filters or light source	
Mounting methods	mounting stand, plinth mounting, tube mounting, panel mounting (see drawings on page 188)	

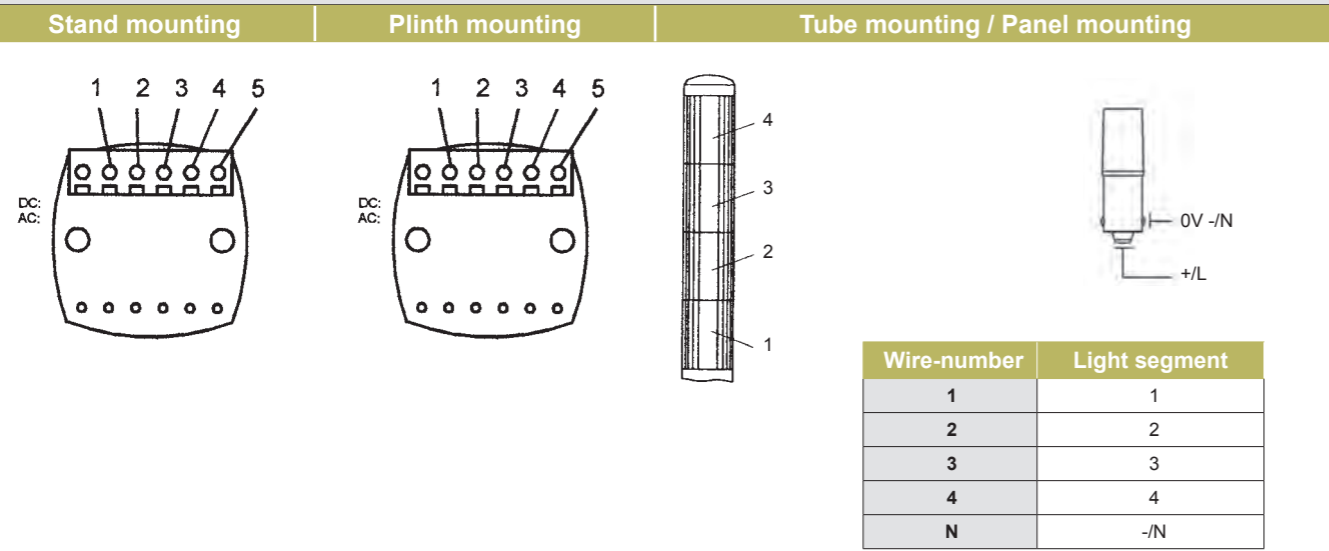


**Dimensions**



	L1	L2	L3	L4
1-stage	228	228	210	91
2-stage	276	276	258	142
3-stage	324	324	306	190
4-stage	372	372	354	238
5-stage	420	420	402	286

**Connection diagrams**



**Ordering details**

Article numbers		BR 35 mounting stand	
Version	Rated voltage	230 V AC	24 V DC
1-stage BR 35-1-S		220 80 10 1 000	220 80 80 1 000
2-stage BR 35-2-S		220 80 10 2 000	220 80 80 2 000
3-stage BR 35-3-S		220 80 10 3 000	220 80 80 3 000
4-stage BR 35-4-S		220 80 10 4 000	220 80 80 4 000
3-stage with fixed colour order: top: red, middle: yellow, bottom: green		220 80 10 0 000	220 80 80 0 000
Article numbers		BR 35 plinth mounting	
Version	Rated voltage	230 V AC	24 V DC
1-stage BR 35-1-P		220 81 10 1 000	220 81 80 1 000
2-stage BR 35-2-P		220 81 10 2 000	220 81 80 2 000
3-stage BR 35-3-P		220 81 10 3 000	220 81 80 3 000
4-stage BR 35-4-P		220 81 10 4 000	220 81 80 4 000
Article numbers		BR 35 tube mounting	
Version	Rated voltage	230 V AC	24 V DC
1-stage BR 35-1-T		220 82 10 1 000	220 82 80 1 000
2-stage BR 35-2-T		220 82 10 2 000	220 82 80 2 000
3-stage BR 35-3-T		220 82 10 3 000	220 82 80 3 000
4-stage BR 35-4-T		220 82 10 4 000	220 82 80 4 000
Article numbers		BR 35 panel mounting	
Version	Rated voltage	230 V AC	24 V DC
1-stage BR 35-1-PM		220 83 10 1 000	220 83 80 1 000
2-stage BR 35-2-PM		220 83 10 2 000	220 83 80 2 000
3-stage BR 35-3-PM		220 83 10 3 000	220 83 80 3 000
4-stage BR 35-4-PM		220 83 10 4 000	220 83 80 4 000

Article numbers for other voltages on request

**Optionen / Zubehör**

**Mounting bracket** for stand- or plinth mounting (plastic)

Article number: 282 35 20 0 020

**Mounting bracket** for tube mounting (metal)

Article number: 282 35 20 0 010

**Assembly kit** sounder module

Article number: 282 35 80 8 000

**Short foot** plinth-mounted device with short foot

Light source

UL LISTED

PG GOST

See page 191 for further information

**Ordering examples**

Stand mounting	Plinth mounting	Tube mounting	Panel mounting
<p>3-stage BR 35 with mounting stand 24 V DC, colour order: A = red B = yellow C = green</p> <p>Article number: 220 80 80 3 000</p>	<p>3-stage BR 35 with plinth mounting 230 V AC, colour order: A = red B = yellow C = green</p> <p>Article number: 220 81 10 3 000</p>	<p>3-stage BR 35 with tube mounting 24 V DC, colour order: A = yellow B = clear C = green</p> <p>Article number: 220 82 80 3 000</p>	<p>1-stage BR 35 for panel mounting 230 V AC, colour order: A = red</p> <p>Article number: 220 83 10 1 000</p>