



TITAN

Instrument User Manual V1.3



Register your instrument online to receive your extended Warranty.

THIS PAGE IS LEFT INTENTIONALLY BLANK

Thank you for purchasing your ION Science instrument.

Register your instrument online for extended warranty

The standard warranty of your TITAN 875 Benzene Monitor can be extended up to two years.

To receive your extended warranty, you must register your instrument online within one month of purchase (terms and conditions apply).

Visit ionscience.com/instrument-registration

Content


EU Declaration of conformity	7
Statements	8
Validity of this Manual	8
Responsibility for Correct Use	8
Quality Assurance	8
Disposal	8
Legal Notice.....	8
Warranty	8
Service	9
Introduction to TITAN	10
Technical Specification	11
Environmental Conditions	11
Un-Packing	12
Titan Benzene Monitor and Accessories Kit	12
System Description	14
The Gas Detector	14
Pneumatic Connections	14
Pneumatics.....	14
Running Flow.....	15
Sampling Flow	16
Heaters	17
Outputs and Communications	18
RS485 Modbus Interface	19
Function Codes.....	19
Bytes and Words	19
Input Registers Address Map	19
Holding Registers Address Map	21
System Files.....	23
Modbus Error Flags	23
Installation Requirements	23
Location Requirements.....	23
Power Requirements	24
Cable and Gland Requirements	24
RS485 Connections	24
Installation	25

Preparation for Installation	25
Dimensions for Installation	25
To Install the Housing Module	26
After-Installation Test	26
Electrical Connections.....	27
Terminal Block-2 (Communications).....	28
Circuit diagrams for 4-20 mA monitoring	29
Removal and Installation of the Detection Module	30
To Remove the Detection Module.....	30
To Install the Detection Module	32
Operating the Titan	36
Switches and Display	36
Power on	36
Main screens and main menu	36
Menu Icons.....	37
Navigation	37
Calibration	38
Benzene Calibration	38
Flow Calibration	39
Removal of the Memory Card	40
Password Lock	40
Lock the Calibration	41
Lock the STEL and LIVE Displays.....	42
Alarms and Relays	42
Alarm or Relay Selection	43
Alarm Configuration.....	43
Relay Configuration.....	43
Relays and 4-20mA Test.....	44
Information Pages	44
Fault Indications.....	45
Alarm Indications	46
Service Period Reminder	46
TitanPC Software.....	47
Minimum requirements	47
Connect the Titan to the PC.....	47
Starting the Software	48



Data Connection.....	49
Settings.....	50
Data Download.....	51
Data View	52
Upgrade.....	54
Flow Calibration	55
Benzene Calibration	56
Recorded Faults.....	57
Alarm Set.....	58
Virtual Screen.....	58
Bump Test.....	59
Use of the Test	59
Test Procedure	59
Fault Diagnostics	60
Fault and Alarm indications	60
Fault Conditions	60
Abbreviations:	60
TitanPC Fault Groups	63
Parts List	63
ION Science Contact Details.....	65
Manual Log	66

EU Declaration of conformity

Manufacturer:	Ion Science Ltd, The Hive, Butts Lane, Fowlmere, Cambridge, UK. SG8 7SL
Product:	875 Benzene Monitor
Product description:	A fixed monitor comprising of a GC column and photo-ionisation detector, for detecting and measuring ambient concentration of Benzene with internal data logging and 4-20mA or RS485 output
EU Directives	2014/34/EU ATEX 2014/30/EU Electrical Equipment – Electromagnetic Compatibility (EMC)
Identification	 II 2 G Ex d IIB+H2 T4 Gb Tamb. = -20°C to +55°C
Certificate Number:	CZ/FTZÚ/ExTR 14.0030X (IECEX) FTZU 14/0172X (ATEX)
Notified body:	SGS Fimko 0598
Report number:	CZ/FTZÚ/ExTR 14.0023 (IECEX)
North American certification	QPS File Number LR1355

Standards:

BS EN 60079-0: 2012	Electrical apparatus for explosive gas atmospheres. General requirements
BS EN 60079-1:2007	Explosive Atmospheres - Equipment Protection by flame-proof enclosure 'd'
EN ISO 1 6852:2010	Flame arresters. Performance requirements, test methods and limits for use. (Replaces DIN EN 12874:2001)
EN1127-1:2007	Explosive atmospheres. Explosion prevention and protection. Basic concepts and methodology.
EN 61000-6-2:2005	Electromagnetic compatibility (EMC) generic standard for immunity for industrial environments.
BS EN 61010-1:2010	Safety requirements for electrical equipment for measurement, control and laboratory use. General requirements.
EN 61000-6-4 :2007 & A1:2011	Electromagnetic compatibility (EMC) generic standard emission standard for industrial environments.
BS EN50270:2015	Electromagnetic compatibility - Electrical apparatus for the detection and measurement of combustible gases, toxic gases or oxygen. Immunity Type 2 - industrial environments.
BS EN 61326-1:2013	Electrical equipment for measurement, control and laboratory use - EMC requirement - Part 1: General requirements. Group 1, Class A equipment - (emissions section only). Industrial Environment - (immunity section only)
DNV 2.4 : 2006	Environmental test specification for instrumentation and automation equipment. April 2006 Location Classes A and B: EMC requirements only (as verified by a technically competent test house). Conducted Low Frequency Immunity Test is pending.

Other standards

BS EN ISO 9001: 2015	Quality Management System - Requirements
BS EN 80079-34: 2011	Application of Quality Systems for equipment manufacture

Note: All measurements were performed with a configuration that assumes all screens are maintained and correctly bonded to a screened housing at each end. The only exception to this was the conducted emission tests which were performed on the inner DC cables.

Performing the test directly on these lines gives a good indication that additional filtering would not be required on any AC/DC power supply in order to limit the conducted emissions contaminating the ship supply.

Ion Science Ltd has sole responsibility, on the date this product accompanied by this declaration is placed on the market, the product conforms to all technical and regulatory requirements of the above listed directives.

Name: Graham Davies

Position: Quality Manager

Signature: 

Date: 23 January 2020

Issued by Ion Science Ltd of the above address on the 23/01/2020

Statements

Validity of this Manual

This user manual gives information and procedures for the firmware and software versions shown on the front page of this manual.

If you have different versions of firmware or software, please obtain the correct user manual.

Responsibility for Correct Use

Ion Science Ltd accepts no responsibility for incorrect adjustments that cause harm or damage to persons or property. The users are responsible to respond appropriately to the readings and alarms given by Titan.

Use the equipment in accordance with this manual, and in compliance with local safety standards. Use of external circuit breakers and/or fuse protection is recommended for safe operation in the case of rare malfunction.

Reduced performance of gas detection might not be obvious, so equipment must be inspected and maintained regularly. Ion Science recommends:

- you use a schedule of regular checks to ensure it performs within calibration limits, and
- you keep a record of calibration check data.

WARNINGS:

1. Substitution of components can result in unsafe conditions.
2. For safety, Titan must only be operated and maintained by qualified personnel.
3. Read and understand this Manual fully before you install, operate or maintain Titan.
4. ! DO NOT OPEN WHILE ENERGIZED !
5. ! DO NOT OPEN WHILE A HAZARDOUS ATMOSPHERE MAY BE PRESENT !
6. When performing any kind of servicing on Titan, precautions must be taken to prevent damage caused by ESD (Electrostatic Discharge). Measures, including ESD wrist straps and work mats must be employed.

Quality Assurance

Titan is manufactured in a ISO9001:2015 compliant Quality management system. That ensures that the equipment is:

- designed and assembled reproducibly, from traceable components,
- calibrated to the stated standards before it leaves our factory.

Disposal

Dispose of Titan and its components in accordance with all local and national safety and environmental requirements. This includes the European WEEE (Waste Electrical and Electronic Equipment) directive. Ion Science Ltd offers a take-back service. Please contact us for more information.

Legal Notice

Whilst every attempt is made to ensure the accuracy of the information contained in this manual, Ion Science accepts no liability for errors or omissions, or any consequences deriving from the use of information contained herein. It is provided "as is" and without any representation, term, condition or warranty of any kind, either expressed or implied. To the extent permitted by law, Ion Science shall not be liable to any person or entity for any loss or damage which may arise from the use of this manual. We reserve the right at any time and without any notice to remove, amend or vary any of the content which appears herein.

Warranty

You can extend the Standard Warranty up to 2 years when you register your Titan instrument via our website: ionscience.com/instrument-registration

To receive your Extended Warranty, you must register within one month of purchase (Terms and Conditions apply). You will then receive a confirmation email that your Extended Warranty Period has been activated and processed.

Full details, along with a copy of our Warranty Statement can be found by visiting: <http://ionscience.com/customer-support/instrument-registration>

Service

Ion Science recommends two levels of service for the Titan.

The six-month service includes the internal (carbon) filter, the external (hydrophobic) filter; and calibration.

The twelve-month service includes: replacement of all items listed in the six-month service, as well as replacement of the AirSep Filter, replacement of the PID lamp and electrode stack and replacement of the outer loop pump; and calibration.

Contact Ion Science or your local distributor for service options in your area.

Introduction to TITAN

The TITAN 875 Benzene Monitor is a fixed benzene monitor certified for Zone 1 hazardous areas. It detects 0-20ppm concentrations in ambient air, taking one sample per minute.

It monitors both the current benzene concentration and the STEL (Short-Term Exposure Limit, calculated over the previous 15 minutes).

Real-time display of the measurement is on the LCD and transmitted on a 4-20mA channel. Historic data stored in Titan can be viewed and stored externally either over the RS485 or the USB connection.

Alarms and warnings are transmitted by the 4-20mA channel and by two relays programmable to be Normally Open or Normally Closed.

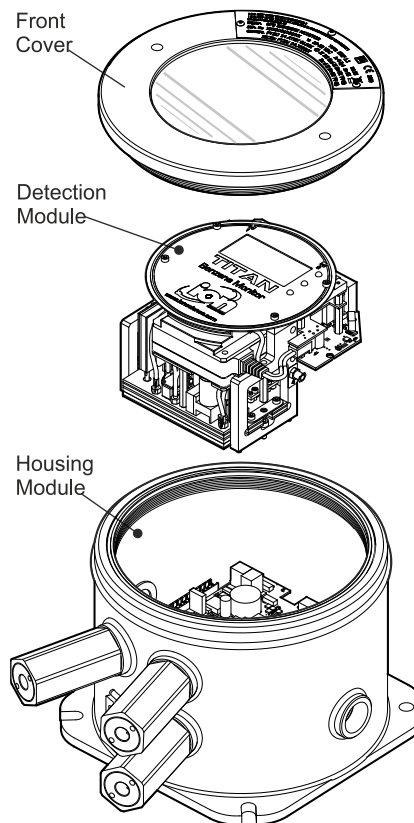
It is powered by a single power supply in the range of range of 19VDC @ 4A to 32VDC @ 2.4A.

The Titan has two modules:

- The Housing Module that is installed permanently.
- The Detection Module that can be removed for servicing and calibration.

All the operational and calibration data is stored within the Detection Module. After the Detection Module has been calibrated, it will function correctly when installed in any Housing Module.

A Detection Module can be calibrated and tested off-site, then taken to the installation site and installed in place of an existing module. The removed module can then be serviced ready for installation later or in another Housing Module.



Technical Specification

Measurement Frequency	Every 1 minute
Response time:	T90 < 1 minute
Detectable Range:	0-20ppm Benzene
Resolution:	± 0.1ppm
Accuracy:	± 0.1ppm or ±10%, whichever is greater
Data log:	To internal memory (Up to 2 Years)
Outputs:	4-20mA, RS485, USB, Two programmable relays (24VDC @1.5A maximum load)
Alarms/Alerts Visual:	Red, Yellow, Green, LEDs
Flow Rate:	≥ 160 ml/min in Ambient conditions
Temperature:	Operating: -20 to 55degC (-4 to 130degF)
Power Requirement	Nominal 24VDC at 3.2A
Weight:	15kg

Environmental Conditions

Location:	Outdoor use Wet conditions Pollution degree 4
Altitude:	Maximum 3000m
Relative humidity:	0 – 99RH%(Non Condensing)
Ingress protection:	IP65

Un-Packing

All equipment shipped by Ion Science Ltd is packed in containers with shock absorbing filling to protect them against physical damage.

Remove the contents carefully and check them against the packing list. Report discrepancies between the contents and the packing list to Ion Science Ltd. Ion Science will not be responsible for discrepancies not reported within ten days of your receipt of the shipment.

Every Titan (new units and those returned from a Service Centre) must have a Certificate of Calibration before you install it.

Titan Benzene Monitor and Accessories Kit

Part number	Description	Qty.
TNXSXBXX-X	Titan 875 Benzene Monitor and Accessories Kit Comprising:	Kit
A-875281	Housing Module	1
A-875245	Detector Module	1
875413	Front Cover Removal Tool	2
875400	Transit Strap	1
2/SH10-16	Transit Strap Screws (M10x16)	2
A-875265	Switch Actuation Magnet	1
A-875417	External (Hydrophobic) Filter	1
4/PB-05	Gland Port Plug (for transportation)	2
4/TA-06	Allen Key 2mm	1
4/TA-08	Allen Key 3mm	1
875431	Mounting Template	1
875263	Titan User Manual	1
-	Certificate of Calibration	1

Titan Detector Module and Accessories Kit

Part number	Description	Qty.
TSMXSXXX-X	Titan Detector Module and Accessories Kit Comprising:	Kit
A-875245	Titan Detector Module	1
875405	Transit and Storage Case	1
875413	Front Cover Removal Tool	2
4/TA-06	Allen Key 2mm	1
4/TA-08	Allen Key 3mm	1
–	Certificate of Calibration	1

Titan Label Information: Ensure Warning Label is attached to Titan.

WARNING: DO NOT OPEN WHILE ENERGIZED!

WARNING: DO NOT OPEN WHILE A HAZARDOUS ATMOSPHERE MAY BE PRESENT!



Refer to instruction manual/booklet



Separate collection for WEEE-Waste of electrical and electronic equipment



IP65 Dust-tight and protected against water jets

System Description

The Gas Detector

The Titan samples the ambient air once every 60 seconds and passes the sample through a Photo-Ionisation Detector (PID).

The PID works by illuminating sample gases with high energy ultra-violet (UV) light. Benzene is one of the volatile organic compounds (VOCs) ionised by the UV photons. In a high voltage electric field, these ions create a current that can be amplified and measured to quantify the concentration of gases present. To make the measurements specific to benzene, it must be separated out from the other gasses before the PID measurement.

The sample passes through the AirSep filter which retards some gas components more than others. Under controlled conditions the filtration ensures the benzene will pass through the filter at a known and well defined time as a separated component. The benzene level is measured by analysis of the signal profile of the PID as the gasses from the AirSep filter pass through it.

For optimum performance it is important that the filter temperature and sample flow are tightly controlled. To achieve temperature stability, the AirSep filter is controlled to 50degC and the internal air temperature of the Titan is controlled to a maximum of 50degC by separate heating systems.

There is no forced cooling mechanism so if the ambient temperature exceeds 55degC the measurement of benzene will be lower than the actual concentration.

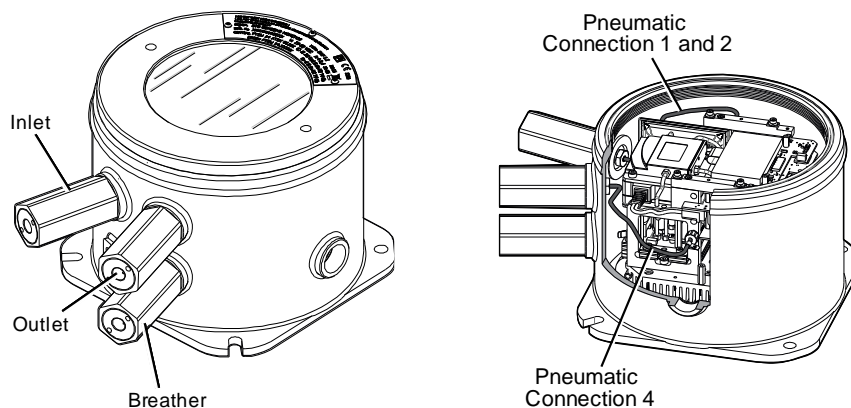
Make sure to install the Titan where the ambient temperature does not rise above 55degC.

Pneumatic Connections

The Titan has three flame-arrestor connectors: one inlet and one outlet for the sampled air, and one breather. The breather keeps pressure equilibrium between inside and outside of the housing.

The outlet flame-arrestor can have an exhaust tube attached, to remove the processed air away from the inlet.

Internally, there is also an inlet through the carbon filter and an outlet into the interior space.



Pneumatics

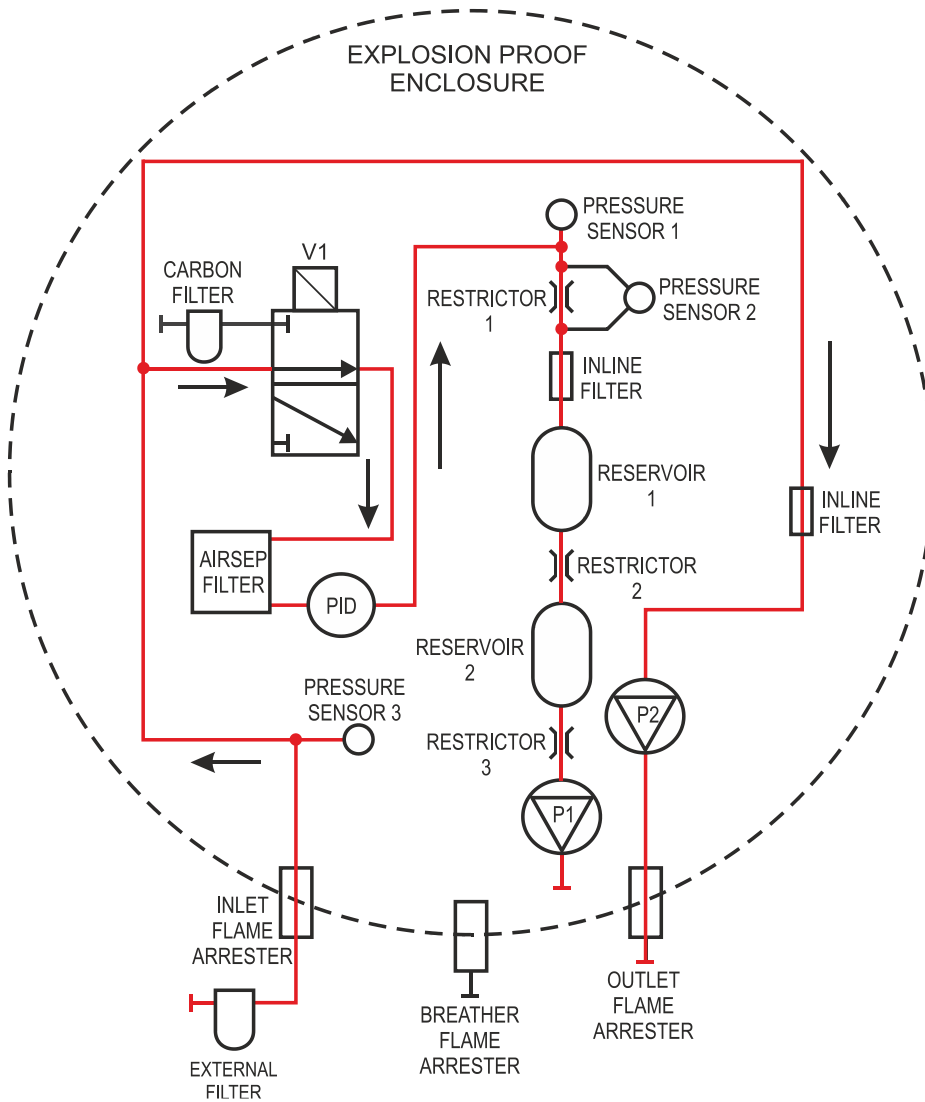
In running flow:

- Pump P2 (outer loop) runs for 40 seconds out of every one minute cycle. The pump is stopped for twenty seconds to allow accurate sampling by Valve V1. When the Valve V1 is in its normal "running" position, the air bypasses the Photo-Ionization Detector (PID).
- Pump P1 (inner loop) keeps a constant flow of clean air from the internal (carbon) filter through the PID. Pump P1 (inner loop) outlet is inside the housing. Thus the clean air recycles through the internal (carbon) filter.

In sampling flow:

- At 60 second intervals, Valve V1 moves to its "sampling" position for 0.5 seconds.

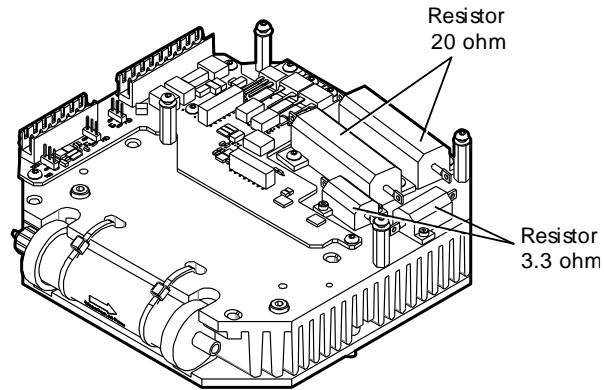
Sampling Flow



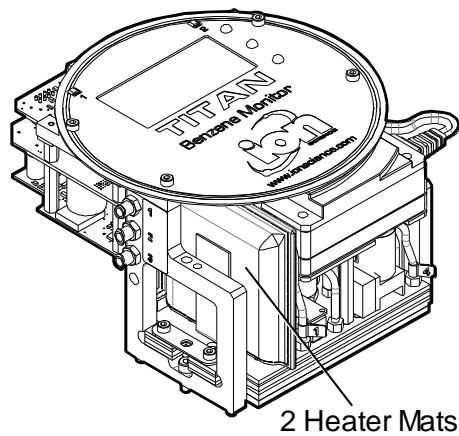
Heaters

The Titan has two heating systems, one regulates the internal temperature, the other regulates the temperature of the AirSep filter.

Internal temperature regulation is maintained by a set of four resistors in the base of the Housing Module.



AirSep filter temperature regulation is by two, 12V 2.5W, heater-mats within an insulated jacket in the Detection Module.



Outputs and Communications

Titan has five communication outputs:

- The on-board LCD and LEDs on the faceplate.
- 4-20mA Current Loop.
- RS485 Modbus (simplex/half-duplex or fully-duplex),
- USB (Accessible on the Detector Module).
- Two programmable relays.

Titan monitors, in real-time, the current (Live) and the Short-Term Exposure Limit (STEL) benzene concentration. The STEL is calculated over the previous 15 minutes.

This real-time information is displayed on the LCD and transmitted on the 4-20mA and RS485 channels.

You can program two alarms to operate at a chosen concentration of benzene and/or a chosen STEL limit. The alarms will display a message on the LCD and LEDs; energize the relays; and transmit a signal on the 4-20mA channel.

The alarms and relays are individually programmable to the settings required by the site policy. You can choose either alarm to energize either relay. The default settings would be:

- Alarm 1: 5.0ppm live
- Alarm 2: 0.5ppm STEL
- Relay 1: Alarm 1, N/O
- Relay 2: Alarm 2, N/O

Both relays can be programmed to be Normally Open or Normally Closed. They can switch 24VDC at 1.5A maximum load. When the Titan is not powered the default state of relay 1 is N/C, the default state of relay 2 is N/O

Data is stored internally for a minimum of two years and can be downloaded with TitanPC software via USB or RS485 for analysis and archive storage.

You can configure the RS485 connection for half-duplex, 2-wire, or full-duplex, 4-wire, communication. Refer to Installation, [Terminal Block-2](#).

The 4-20mA output fault indications are given by discrete current signals between 2.0 and 3.5mA. Refer to the table in Fault Diagnostics, [Fault Conditions](#).

RS485 Modbus Interface

The Titan Modbus interface uses Serial ASCII format Modbus, at:

- 38400 baud 8 data bits, no parity, 2 stop bits.

Function Codes

Titan supports these function codes:

- 0x03 – Read Holding Registers
- 0x04 – Read Input Registers
- 0x10 – Write Multiple Registers

The address map for Read Holding Registers and Write Multiple Registers is the same – but not all addresses are writeable.

Bytes and Words

Modbus registers are generally 16 bits in length. For example if you send the command to Read Input Registers with a register quantity of 1 you will receive 2 bytes (1 word) of data. In the tables of addresses, we specify the length in bytes. This is the number of bytes of data associated with the read/write at that address.

Thus your Modbus request will be for half that number of registers.

Input Registers Address Map

Use the function code 0x04 to Read Input Registers in the address range given in the table. If you read more than the number of bytes indicated for the length at each address, any bytes beyond the length are undefined.

For example, if you read 32 bytes at address 1000, only the first 16 bytes returned are valid.

Address (hex)	Data Length (bytes)	Content																																
0	60	Returns block of 15 integers for latest result <table border="0" style="margin-left: 20px;"> <tr> <td>Integer</td> <td>Meaning</td> </tr> <tr> <td>1</td> <td>Benzene value in ppm x 10</td> </tr> <tr> <td>2</td> <td>Sensor temperature in degC x 100</td> </tr> <tr> <td>3</td> <td>Ambient temperature in degC x 10</td> </tr> <tr> <td>4</td> <td>Flow in ml/min x 100</td> </tr> <tr> <td>5</td> <td>PS1 diagnostic</td> </tr> <tr> <td>6</td> <td>PS2 diagnostic</td> </tr> <tr> <td>7</td> <td>PS3 diagnostic</td> </tr> <tr> <td>8</td> <td>Slope diagnostic</td> </tr> <tr> <td>9</td> <td>Flags</td> </tr> <tr> <td>10</td> <td>Sensor fence signal</td> </tr> <tr> <td>11</td> <td>Raw signal</td> </tr> <tr> <td>12</td> <td>STEL value</td> </tr> <tr> <td>13</td> <td>Pump drive signal</td> </tr> <tr> <td>14</td> <td>Pump drive volts</td> </tr> <tr> <td>15</td> <td>Fault record</td> </tr> </table>	Integer	Meaning	1	Benzene value in ppm x 10	2	Sensor temperature in degC x 100	3	Ambient temperature in degC x 10	4	Flow in ml/min x 100	5	PS1 diagnostic	6	PS2 diagnostic	7	PS3 diagnostic	8	Slope diagnostic	9	Flags	10	Sensor fence signal	11	Raw signal	12	STEL value	13	Pump drive signal	14	Pump drive volts	15	Fault record
Integer	Meaning																																	
1	Benzene value in ppm x 10																																	
2	Sensor temperature in degC x 100																																	
3	Ambient temperature in degC x 10																																	
4	Flow in ml/min x 100																																	
5	PS1 diagnostic																																	
6	PS2 diagnostic																																	
7	PS3 diagnostic																																	
8	Slope diagnostic																																	
9	Flags																																	
10	Sensor fence signal																																	
11	Raw signal																																	
12	STEL value																																	
13	Pump drive signal																																	
14	Pump drive volts																																	
15	Fault record																																	

80	24	<p>Returns block of data indicating the state of the sensor temperature controller. Six 32-bit integers are returned. e.g.</p> <pre>00000000 84 13 00 00 22 02 00 00 AD 08 00 00 A0 0F 00 00 „...“..... 00000010 01 00 00 00 01 00 00 00 </pre> <p>These can be decoded as follows: 84 12 00 00 = 0x00001284 = 4740</p> <p>The values have the following meaning</p> <table border="0"> <thead> <tr> <th>Integer</th> <th>Meaning</th> </tr> </thead> <tbody> <tr> <td>1</td> <td>Temperature in degrees Celsius x 100</td> </tr> <tr> <td>2</td> <td>Ambient temperature in degC x 16</td> </tr> <tr> <td>3</td> <td>Heater drive power in % x 100</td> </tr> <tr> <td>4</td> <td>Heater driver voltage</td> </tr> <tr> <td>5</td> <td>1 if required temperature has been reached</td> </tr> <tr> <td>6</td> <td>Time in seconds taken to reach target from switch on</td> </tr> </tbody> </table>	Integer	Meaning	1	Temperature in degrees Celsius x 100	2	Ambient temperature in degC x 16	3	Heater drive power in % x 100	4	Heater driver voltage	5	1 if required temperature has been reached	6	Time in seconds taken to reach target from switch on
Integer	Meaning															
1	Temperature in degrees Celsius x 100															
2	Ambient temperature in degC x 16															
3	Heater drive power in % x 100															
4	Heater driver voltage															
5	1 if required temperature has been reached															
6	Time in seconds taken to reach target from switch on															
100	24	<p>Returns block of data indicating state of background temperature controller. Six 32-bit integers are returned. e.g.</p> <pre>00000000 FC 44 00 00 21 02 00 00 00 00 00 00 01 00 00 00 üD-!..... 00000010 EF 00 00 00 02 00 00 00 </pre> <table border="0"> <thead> <tr> <th>Integer</th> <th>Meaning</th> </tr> </thead> <tbody> <tr> <td>1</td> <td>Heater Temperature in degC x 100</td> </tr> <tr> <td>2</td> <td>Ambient temperature in degC x 16</td> </tr> <tr> <td>3</td> <td>Heater drive power in % x 100</td> </tr> <tr> <td>4</td> <td>Heater driver voltage</td> </tr> <tr> <td>5</td> <td>Power supply level x 10</td> </tr> <tr> <td>6</td> <td>Heater level</td> </tr> </tbody> </table>	Integer	Meaning	1	Heater Temperature in degC x 100	2	Ambient temperature in degC x 16	3	Heater drive power in % x 100	4	Heater driver voltage	5	Power supply level x 10	6	Heater level
Integer	Meaning															
1	Heater Temperature in degC x 100															
2	Ambient temperature in degC x 16															
3	Heater drive power in % x 100															
4	Heater driver voltage															
5	Power supply level x 10															
6	Heater level															
1000	16	<p>Unique ID of Titan – a string of 16 ASCII characters unique to each Titan</p>														
1100	32	<p>Firmware versions of Titan and Flow Controller. Two null terminated strings are returned. e.g.</p> <pre>00000000 56 30 2E 31 2E 33 33 00 56 30 2E 31 2E 31 31 00 V0.1.33-V0.1.11 00000010 00 00 00 00 00 00 00 00 00 00 00 00 00 00 00 00 </pre>														
1200	36	<p>Returns a block of data indicating the state of the flow. This block contains 9 32-bit integers. e.g.</p> <pre>00000000 21 03 00 00 DA 0D 00 00 20 2F 00 00 88 00 00 00 !...Ú... /^... 00000010 01 00 00 00 00 00 00 00 </pre> <p>These can be decoded as follows: 21 03 00 00 = 0x00000321 = 801</p> <p>The values have the following meaning:</p> <table border="0"> <thead> <tr> <th>Integer</th> <th>Meaning</th> </tr> </thead> <tbody> <tr> <td>1</td> <td>Current flow x 100</td> </tr> <tr> <td>2</td> <td>Flow Differential pressure sensor reading</td> </tr> <tr> <td>3</td> <td>Absolute pressure sensor reading</td> </tr> <tr> <td>4</td> <td>Pump power output</td> </tr> </tbody> </table>	Integer	Meaning	1	Current flow x 100	2	Flow Differential pressure sensor reading	3	Absolute pressure sensor reading	4	Pump power output				
Integer	Meaning															
1	Current flow x 100															
2	Flow Differential pressure sensor reading															
3	Absolute pressure sensor reading															
4	Pump power output															

		<p>5 1 if pump power OK, 0 if pump power problem</p> <p>6 1 if outer loop pump running, 0 if outer loop pump not running</p> <p>7 Pump drive output voltage</p> <p>8 Absolute pressure when pump not running</p> <p>9 Valve state</p>												
1300	12	<p>Returns information on the internal memory storage. Three 32-bit integers are returned.</p> <table border="0"> <tr> <td>Integer</td> <td>Meaning</td> </tr> <tr> <td>1</td> <td>Number of free clusters.</td> </tr> <tr> <td>2</td> <td>Total available clusters</td> </tr> <tr> <td>3</td> <td>Reserved clusters.</td> </tr> </table>	Integer	Meaning	1	Number of free clusters.	2	Total available clusters	3	Reserved clusters.				
Integer	Meaning													
1	Number of free clusters.													
2	Total available clusters													
3	Reserved clusters.													
1400	96	Returns an array of 27 32-bit integers indicating internal fault state of Titan. If there are no faults all values are zero.												
1500	20	<p>Returns five 32-bit integers indicating state of the lamp sensor.</p> <table border="0"> <tr> <td>Integer</td> <td>Meaning</td> </tr> <tr> <td>1</td> <td>Last signal reading in μV</td> </tr> <tr> <td>2</td> <td>1 is lamp is on, 0 if not</td> </tr> <tr> <td>3</td> <td>0 if lamp drive is off, non-zero if lamp drive is on</td> </tr> <tr> <td>4</td> <td>Lamp sensor signal when lamp off, in μV</td> </tr> <tr> <td>5</td> <td>Last Lamp sensor signal reading in μV</td> </tr> </table>	Integer	Meaning	1	Last signal reading in μV	2	1 is lamp is on, 0 if not	3	0 if lamp drive is off, non-zero if lamp drive is on	4	Lamp sensor signal when lamp off, in μV	5	Last Lamp sensor signal reading in μV
Integer	Meaning													
1	Last signal reading in μV													
2	1 is lamp is on, 0 if not													
3	0 if lamp drive is off, non-zero if lamp drive is on													
4	Lamp sensor signal when lamp off, in μV													
5	Last Lamp sensor signal reading in μV													
1600	6	Returns three 16-bit values containing diagnostic data for pressure sensor												

Holding Registers Address Map

Read Holding Registers – use function code 0x03.

Write Holding Registers – use function code 0x01 (Write Multiple Registers).

If you read or write more than the number of bytes specified for the length at each address, any bytes beyond the length are undefined.

Titan can malfunction if you write more data than the specified length.

For example if you read 32 bytes at address 1000, only the first 16 bytes returned are valid.

Address (hex)	Data Length (bytes)	Content
1100	32	<p>ASCII name allocated to the Titan. This may be written or read. e.g</p> <pre>00000000 53 65 72 76 69 63 65 20 54 69 74 61 6E 00 00 00 Service Titan... 00000010 00 00 00 00 00 00 00 00 00 00 00 00 00 00 00 00</pre>
1200	32	<p>Internal real time clock. This may be written or read. e.g.</p> <pre>00000000 DF 07 00 00 02 00 00 00 0A 00 00 00 10 00 00 00 0B..... 00000010 11 00 00 00 29 00 00 00 02 00 00 00 00 00 00 00</pre>

		<p>This is decoded as 8 32-bit numbers. The last two integers are not used when writing.</p> <table border="1"> <thead> <tr> <th>Integer</th> <th>Meaning</th> </tr> </thead> <tbody> <tr><td>1</td><td>Year</td></tr> <tr><td>2</td><td>Month</td></tr> <tr><td>3</td><td>Day</td></tr> <tr><td>4</td><td>Hour</td></tr> <tr><td>5</td><td>Minute</td></tr> <tr><td>6</td><td>Second</td></tr> <tr><td>7</td><td>Day of week</td></tr> <tr><td>8</td><td>Day of year</td></tr> </tbody> </table>	Integer	Meaning	1	Year	2	Month	3	Day	4	Hour	5	Minute	6	Second	7	Day of week	8	Day of year
Integer	Meaning																			
1	Year																			
2	Month																			
3	Day																			
4	Hour																			
5	Minute																			
6	Second																			
7	Day of week																			
8	Day of year																			
1300		Used during code upgrade. For ISL use only. Reading or Writing to this address may require you to send the Titan to a Service Center.																		
1400		Used during upgrade of flow controller. For ISL use only. Reading or Writing to this address may require you to send the Titan to a Service Center.																		
1500	4	Override control of measuring sequence. For ISL use only.																		
1600	4	Override control of pump. For ISL use only.																		
1604	4	Override control of by-pass pump. For ISL use only.																		
1608	4	Override control of sample valve. For ISL use only.																		
1700	28	<p>Read latest result data.</p> <p>A block of 7 32-bit integers is returned</p> <table border="1"> <thead> <tr> <th>Integer</th> <th>Meaning</th> </tr> </thead> <tbody> <tr><td>1</td><td>Benzene value in ppm x 10</td></tr> <tr><td>2</td><td>Results Flags</td></tr> <tr><td>3</td><td>Flag indicating start of measurement cycle</td></tr> <tr><td>4</td><td>Diagnostic Step in measurement cycle</td></tr> <tr><td>5</td><td>Last sensor reading</td></tr> <tr><td>6</td><td>Stel result in ppm x 10</td></tr> <tr><td>7</td><td>Last fault</td></tr> </tbody> </table> <p>Writing to any space in this address range will clear flag indicating start of measurement cycle (integer 3).</p>	Integer	Meaning	1	Benzene value in ppm x 10	2	Results Flags	3	Flag indicating start of measurement cycle	4	Diagnostic Step in measurement cycle	5	Last sensor reading	6	Stel result in ppm x 10	7	Last fault		
Integer	Meaning																			
1	Benzene value in ppm x 10																			
2	Results Flags																			
3	Flag indicating start of measurement cycle																			
4	Diagnostic Step in measurement cycle																			
5	Last sensor reading																			
6	Stel result in ppm x 10																			
7	Last fault																			
1800		Diagnostic, test control of 4-20mA output. For Ion Science use only.																		
F000	44	Block of data controlling file transfer to/from internal store. Write only.																		
F080	16	Block of data giving information on file transfer to/from internal store. Read only.																		
F100	128	Used to read/write data from/to files on internal store.																		

System Files

Titan stores configuration parameters in *.CFG files in the file store.

Titan can malfunction if you delete or modify these files.

Modbus Error Flags

1	Temp error	18	Pump fault
2	Temp fault	19	Pump power fail
3	Temp fault	20	Step error
4	Temp error	21	Inlet blocked
5	Leak	22	Temp error
6	Sensor flow low	23	Memory full
7	Sensor flow high	24	Pump drive high
8	Outlet Blocked	25	Alarm1
9	Tube off	26	Alarm2
10	Lamp Out	27	Temp fault
11	Memory fault	28	Pump power fail
12	Temp Error	29	Service Required
13	PID ADC Fail	30	Pump reset
14	Step overrun	31	ADS1000 fault
15	Watchdog	32	P3 Sensor fail
16	ADC Fault	33	Abs Pres Sensor fail
17	MMC Fault	34	Diff Pres sensor fail

Installation Requirements

Please make sure you understand all the installation requirements before you install Titan.

Location Requirements

There are many variables involved in defining the optimum location for a gas detector. Mount the Titan:

- in a location where it (or its inlet probe) is most likely to detect the gas
- in an area that has good air circulation. Restricting natural air current can result in delayed detection
- on a solid, stable support, where it is accessible for servicing
- vertically, with the flame arresters underneath the housing
- not in direct sunlight or over a heat source (This can cause the Titan to exceed its certified internal working temperature of 50degC)
- not in areas likely to flood.

An exhaust line can be attached to the outlet flame-arrestor to remove the processed air away from the Titan.

An inlet line (inlet probe), with hydrophobic filter can be attached to the inlet flame-arrestor to detect benzene in areas remote from the Titan.

These lines can be

- Maximum of 10 meters long.
- Recommended cross-section: 6mm OD x 4mm ID PTFE tube.

NOTE: Whether the gas inputs to the unit are from the area where the flame proof box is installed or whether it inputs from another source. The gas which is pumped inside the flame proof box must be from the area where the flame proof box is installed.

Power Requirements

Nominal Voltage	24VDC @ 3.2A
Minimum Voltage	19VDC @ 4A
Maximum Voltage	32VDC @ 2.4A

We recommend an industrial grade power supply unit of 24VDC at 4.5A.

Power consumption depends on the heaters in the temperature control systems. Running in ambient temperatures below 5degC will use maximum power. Higher temperatures will reduce power consumption.

The 4-20mA output requires its own power supply at 24 (minimum) to 32VDC (maximum). It can share the instrument's 24 to 32VDC, 4.5A, power supply if:

- the 4-20mA output goes to the same location as the instrument power supply and
- their Grounds will be connected together.

Refer to Electrical Connections, [Terminal Block-1](#).

Cable and Gland Requirements

We recommend you use screened cables e.g., multicore cable with SWA armour, or Braid Armour to protect against EMI.

The manufacture and build of the cable glands is the responsibility of the installer. The cable glands must conform to the certification standards required for the installation site. Install blanking plugs with the appropriate certification standards to unused cable gland ports.

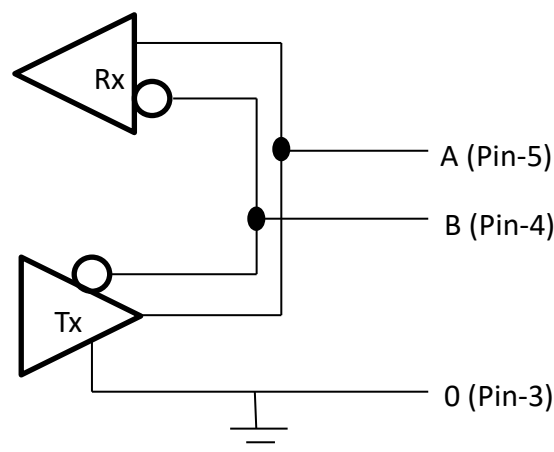
For general advice on selection of cable glands please visit <https://www.cmp-products.com/cable-glands/products/explosive-atmosphere/>

DC power	2 core (positive and negative) 1.5mm ²
4-20mA Comms	2 core 1.5mm ² max
RS485 half-duplex	3 cores (including ground) 1.5mm ² max
Relays (2 Outputs)	4 cores 1.5mm ² max
Cable Gland	¾" NPT - Explosive Atmosphere Certified
Blanking Plug	¾" NPT - Explosive Atmosphere Certified

RS485 Connections

You can use Titan for half-duplex, 2-wire communication. You can also configure it to use a built-in 120R termination resistor.

Pin references are to Terminal Block-2 (Refer to Installation, [Terminal Block-2](#))



To connect a 120R termination resistor across 'A' and 'B': connect a jumper on L1 between the middle pin and 120R pin. (Refer to Note 1 of [Terminal Block-2](#), Installation).

This enables 2-wire communications and a 3rd wire ('0') as a Ground.

- 'A' is connected to 'Y'
- 'B' is connected to 'Z'
- '0' is Ground

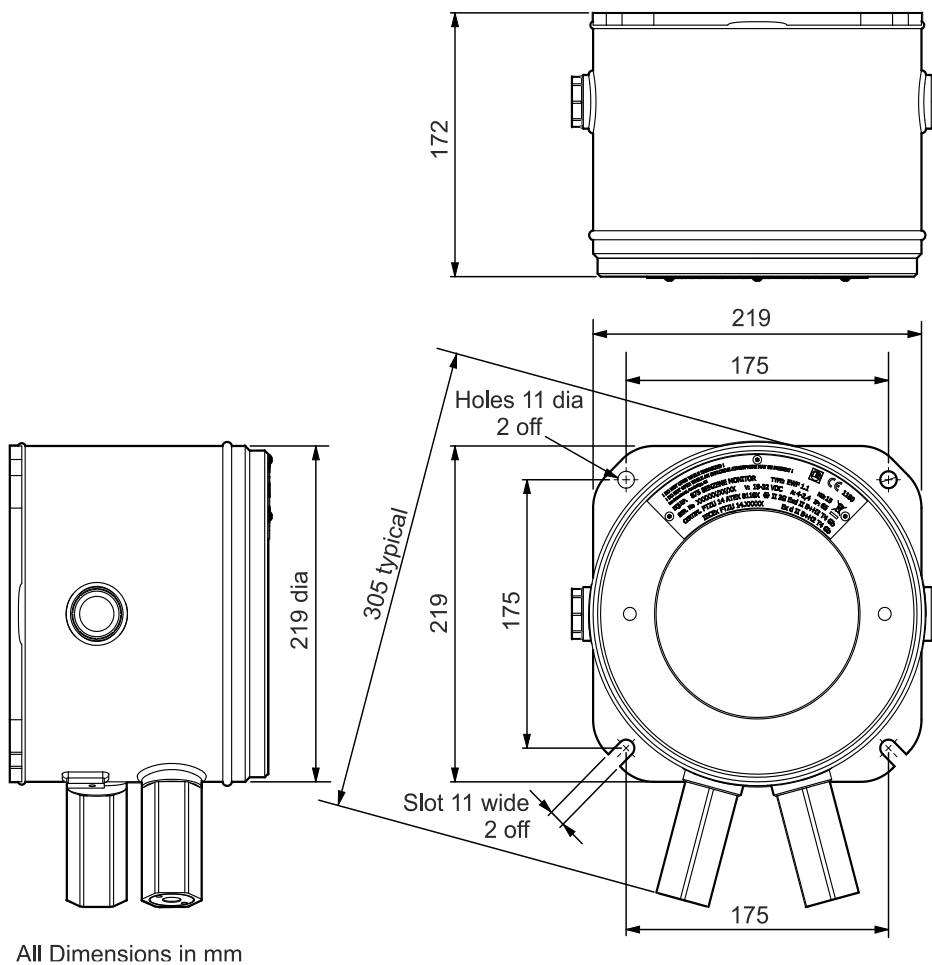
Installation

Preparation for Installation

Before you install the Titan, refer to the:

- Location requirements
- Power requirements
- Cable & gland requirements
- Dimensions for installation (See below)

Dimensions for Installation



To Install the Housing Module

Use M10 screws to install the Titan as a complete unit (housing and detection modules together) on a solid, stable support.

After you install the Titan, remove the detection module to get access to the terminal blocks. Refer to removal and installation of the detection module.

Install the cable glands. Feed the cables through the glands and make the connection to the terminal blocks as you require. Refer to the electrical connections.

Seal the cable in the cable glands.

Install the detection module.

Connect / switch on the power supply.

Connect a PC / laptop to the USB port and use TitanPC to set the date and time. Alternatively, use the RS485 connection and TitanPC to set the time and date.

Without external power, Titan can only store the current date and time for a maximum of 12 hours.

Install the front cover.

After-Installation Test

Do a test of the relay and the 4-20mA systems to check for correct installation and function. Refer to [Relays and 4-20mA Test](#).

Do a "Bump Test" to verify that the sensors respond correctly to the Benzene gas. Refer to Bump test. For an accurate bump test the Titan needs to heat up and thermally stabilise. This can take up to 90 minutes. Before this an inaccuracy of up to 15% could be seen.

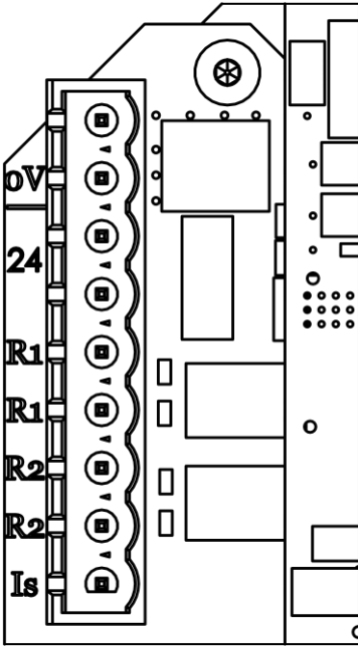
A bump test does not calibrate the sensors. If Titan does not display the gas concentration given by the bottle, do a calibration to give the correct readings. Refer to

Benzene Calibration (on-board) or [Benzene Calibration](#) (using TitanPC).

Electrical Connections

Terminal Block-1 (Power)

Pin	Label	Function
1	0V	DC Power input (Negative)
2	0V	DC Power additional input (Negative) (Connected to above Pin1 on-board) (See Note 1)
3	24	DC Power Input (Positive) +24VDC
4	24	DC Power additional input (Positive) (Connected to above Pin3 on-board) (See Note 1)
5	R1	Relay 1 output (Terminal-1)
6	R1	Relay 1 output (Terminal-2)
7	R2	Relay 2 output (Terminal-1)
8	R2	Relay 2 output (Terminal-2)
9	Is	DC Power Output (Positive) (Connected to Pin3 & 4 on-board) (See Note 2)

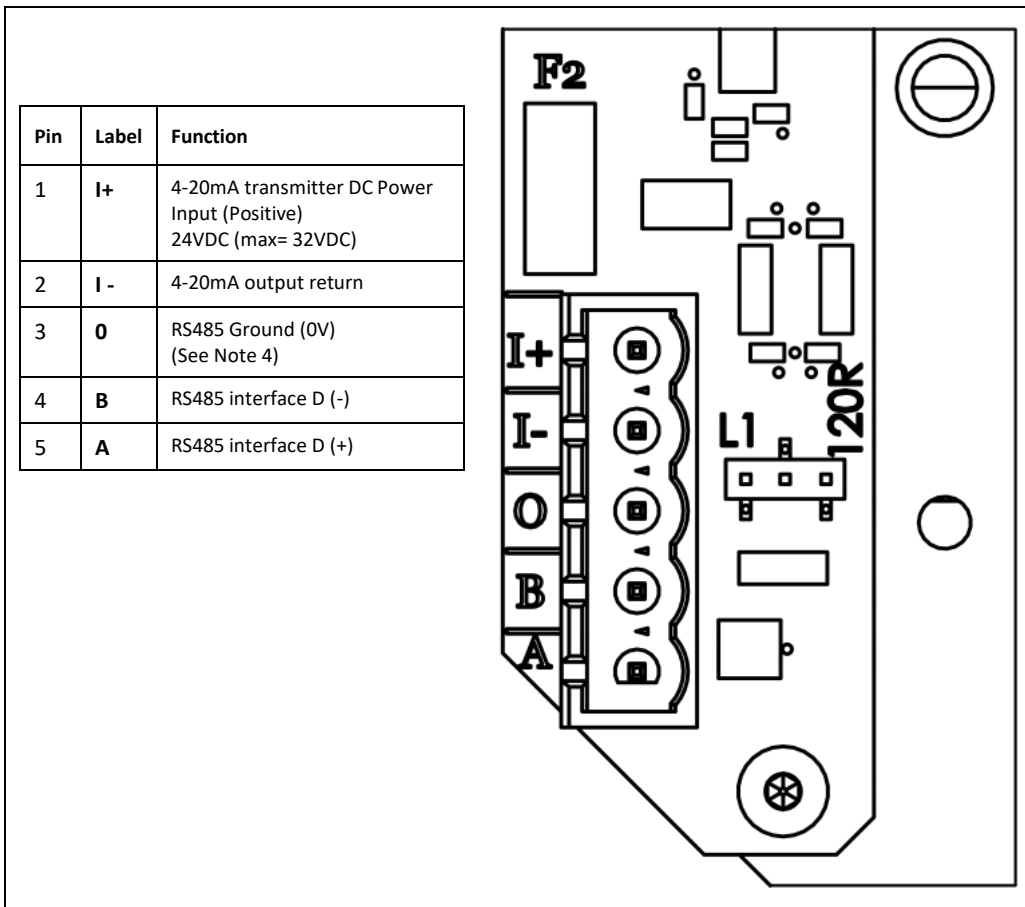


NOTES:

- Pin 2 '0V' and pin 4 '24V' on Terminal Block-1 allow two wires to share the current of the Power Supply Input.
Pin 1 and Pin 2 are connected together on-board.
Pin 3 and Pin 4 are connected together on-board.
- The 4-20mA output is NOT powered on-board. It is an isolated output that requires its own Power Supply at 24VDC (nominal) and 32VDC (maximum).
The 4-20mA output can share the instrument Power Supply if:
 - the 4-20mA output goes to the same location as the instrument power supply and
 - their Grounds will be connected together.

If that is so, connect a jumper from Pin 9 of Terminal Block-1 to Pin-1 of Terminal Block-2

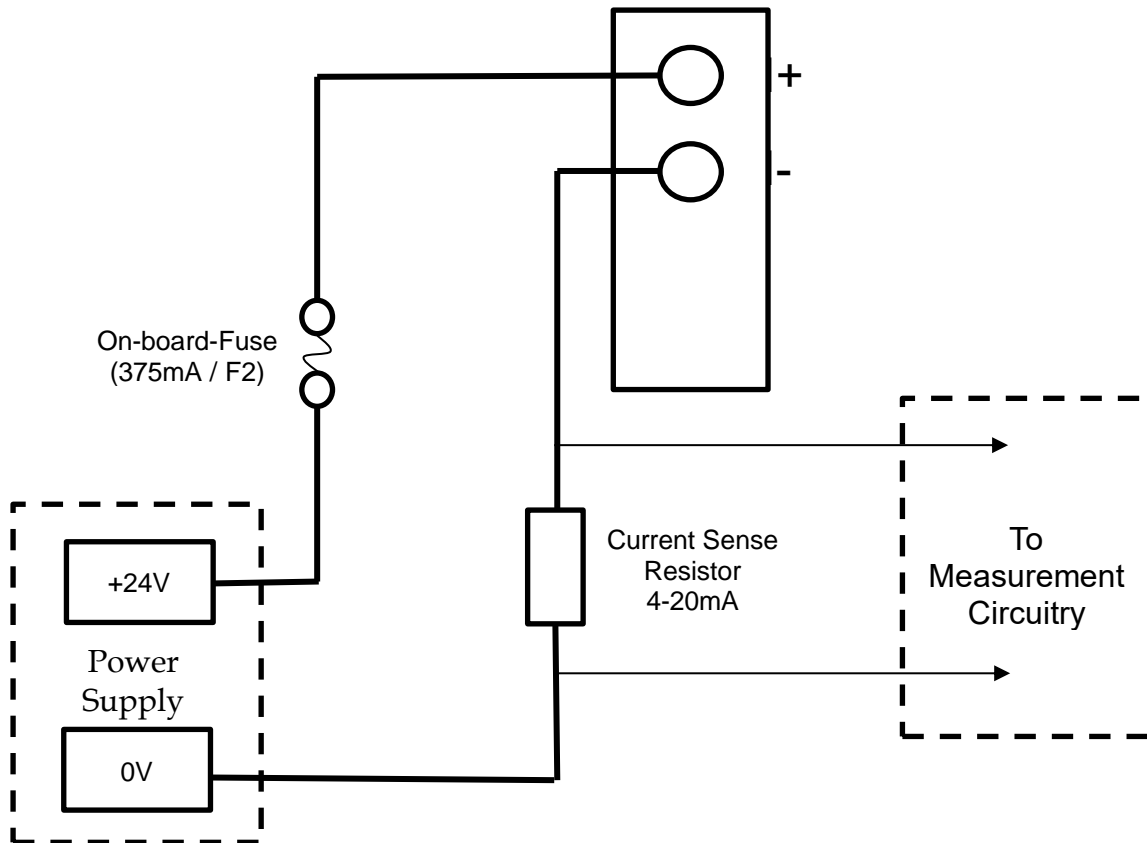
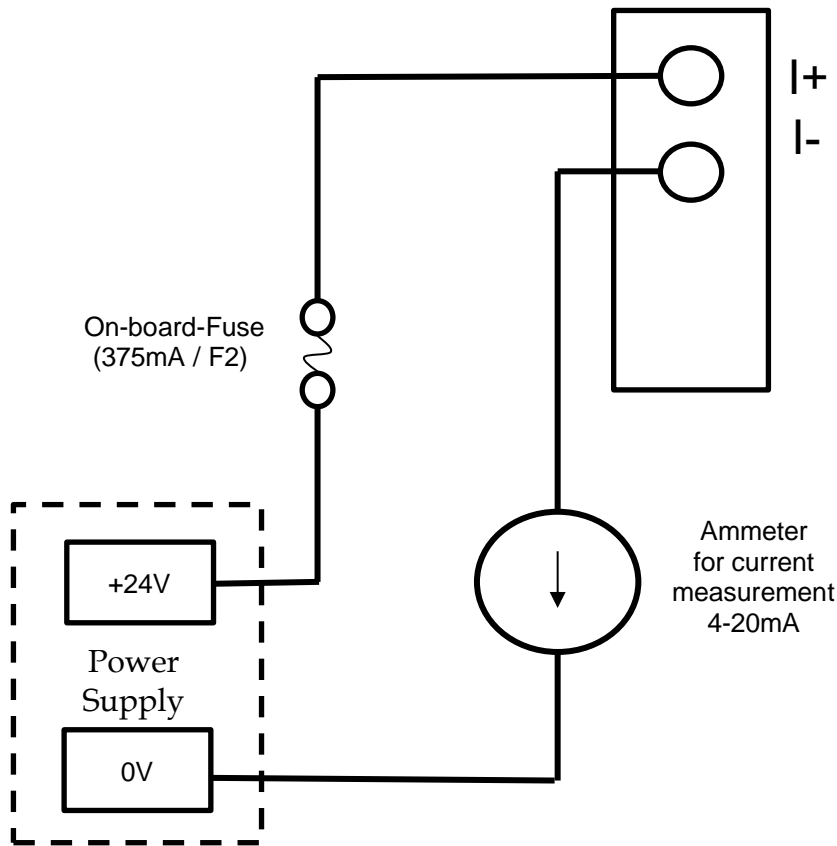
Terminal Block-2 (Communications)



NOTES:

- For RS485 termination resistor, put a jumper link on the L1 header between the middle pin and the pin labelled 120R. This puts a 120R termination resistor across 'A' and 'B' of Terminal Block-2 (See RS485 Connections diagram for more details). To disconnect the resistor remove the jumper completely.
- The 4-20mA output has an inline fuse, for protection against accidental short circuit, see F2 on the above diagram.

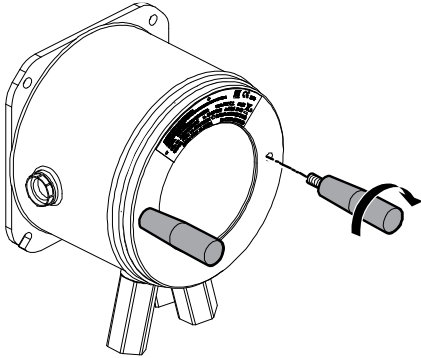
Circuit diagrams for 4-20 mA monitoring



Removal and Installation of the Detection Module

To Remove the Detection Module

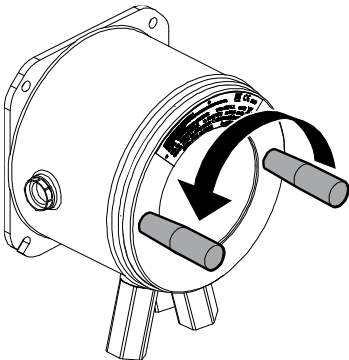
Switch off or remove the power to the Titan.



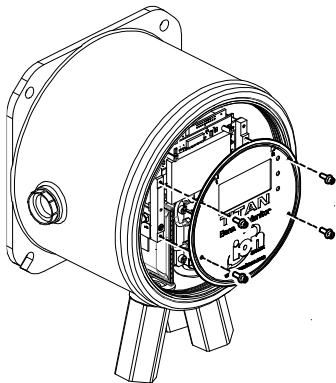
WARNING:

1. Ensure the electrical power is switched off or disconnected.
2. Do not open when an explosive atmosphere might be present.

Insert the threaded Cover Removal Tools into the holes in the Titan front cover.

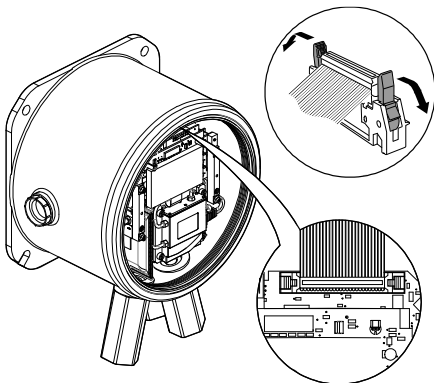


Turn counter-clockwise to unscrew the front cover.

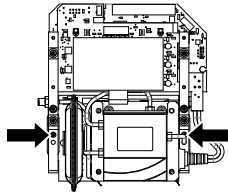


Use a 2mm allen-key to remove the four faceplate screws.

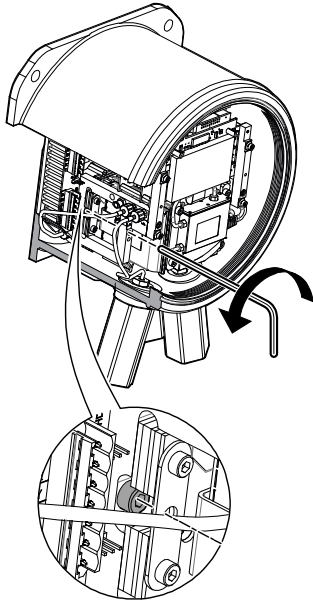
Remove the faceplate.



Press the 'wings' down to release the ribbon cable at the top of the Detection Module.



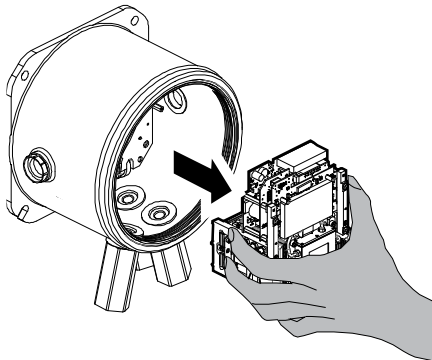
Two captive, hex-socket screws hold the Detection Module in the Housing Module, as shown.



Two holes in the front of the Detection Module give access to the screws.

Use a 3mm allen-key to reach the screws directly behind the holes.

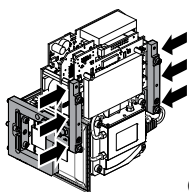
Turn each screw counter-clockwise until it is completely loose.



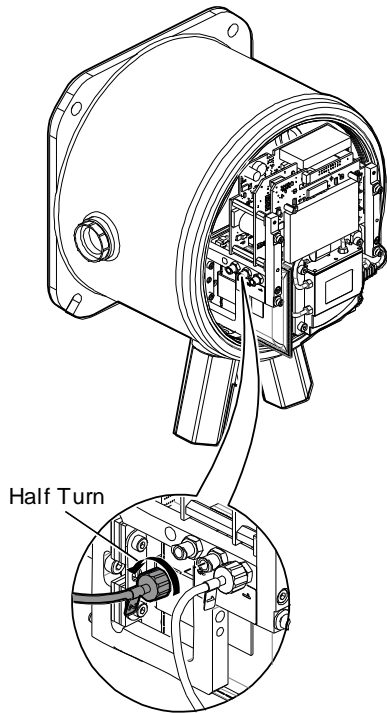
When the captive screws are completely loose, grip the sides of the frame of the Detection Module, as shown, to remove it from the Housing Module.

Be careful not to cause damage the PCBs.

Be careful to remove it only far enough to disconnect the Luer connectors of the 3 pneumatic tubes.



Grips



Ensure the pneumatic tubes are properly identified for later connection to the correct connectors.

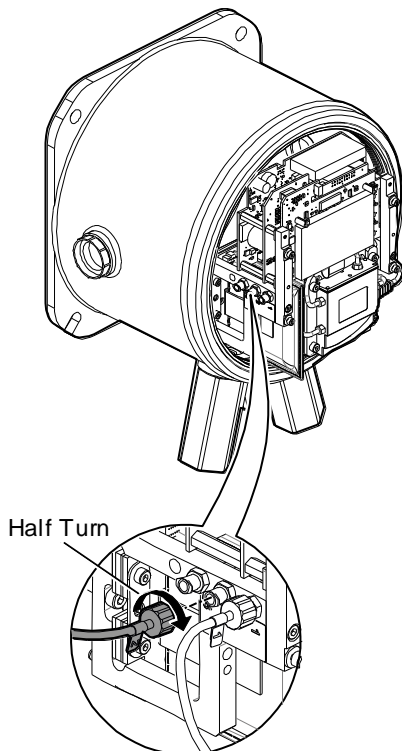
Disconnect the tubes only from the Detection Module, not from the Housing Module. The tubes must remain connected at all times to the barbs on the interior face of the flame-arrestors.

For complete removal of the Detection Module: a half-turn, counter-clockwise, of the Luer connectors will remove the pneumatic tubes:

- two on the left
- one on the right.

You can now remove the Detection Module completely.

To Install the Detection Module

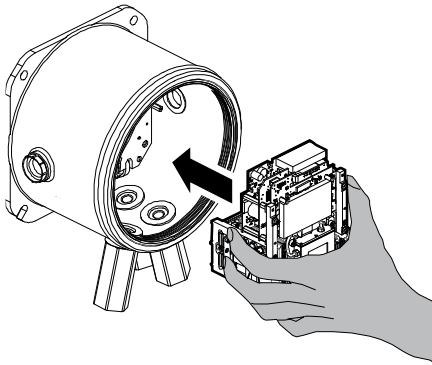


Check the identification of the pneumatic tubes and connectors.

Connect the tubes to the connectors: a half-turn, clockwise, of the Luer connectors will secure the pneumatic tubes:

- two on the left
- one on the right.

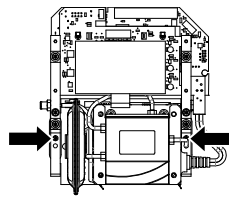
Ensure the tubes have no twists or kinks.



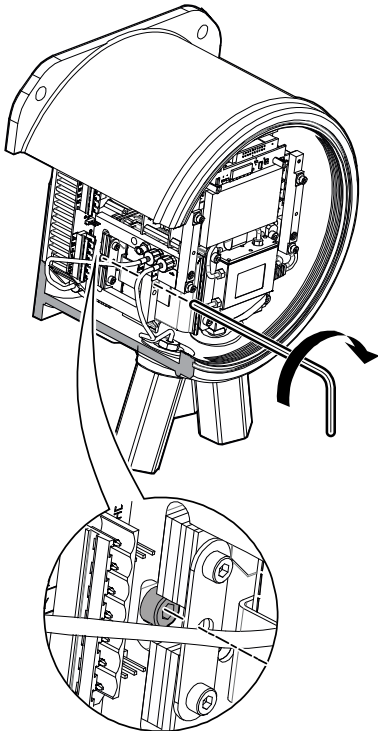
Hold the ribbon cable out of your way while you insert the Detection Module.

There are locating pins to ensure correct positioning of the Detection Module on the base-plate.

Move the module from side to side until it locks into place.



Use the allen-key to engage the captive screw at each side of the Detection Module.



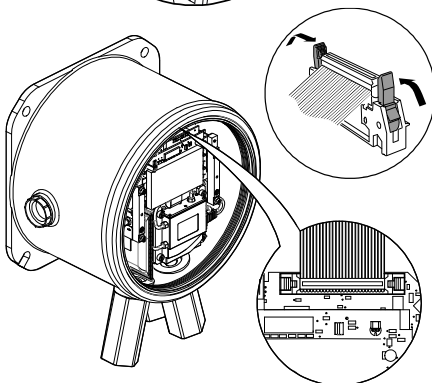
If the module is in its correct position, the screws will engage in the threads and turn freely.

If they do not engage the threads easily, check the position of the Detection Module.

Move the module from side to side until it locks into place.

Tighten them hand-tight.

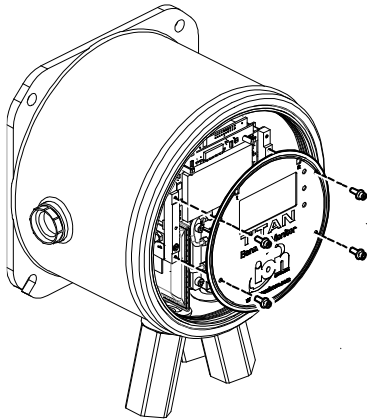
Check the Detection Module is held firmly.



Attach the ribbon cable.

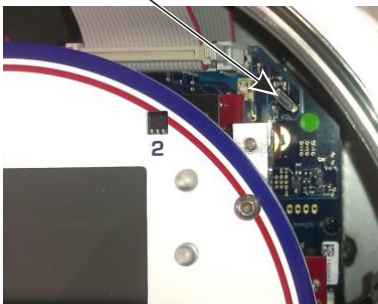
When you push it into its socket, it should clip in automatically.

Gently pull the cable to check it is securely connected.



Use the four screws to attach the face plate. Tighten them firmly hand-tight.

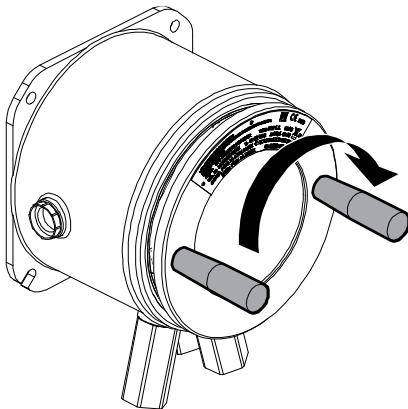
USB Port



Connect a PC to the USB or RS485 connection and use TitanPC software to set the date and time. Refer to [Settings](#).

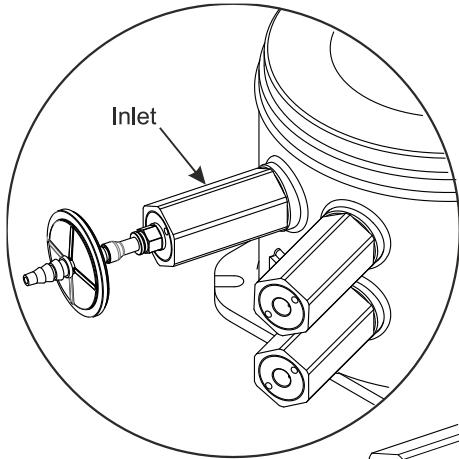
The date and time is used to "Date-stamp" all data files and calibration history.

Without external power, Titan can only store the current date and time for a maximum of 12 hours.

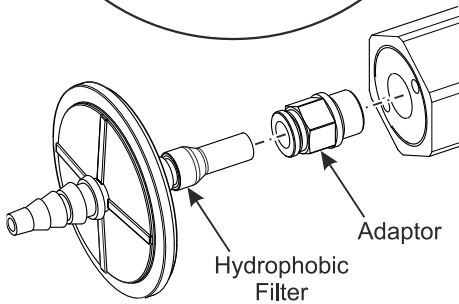


Install the front cover. Turn it clock-wise until it is hand-tight.

CAUTION: Be careful to ensure the front cover engages easily with the screw thread. If there is resistance, remove it, examine it, and try again. Do not use force. Force can cause damage to the threads.



Ensure the external hydrophobic filter and any exhaust or inlet probe lines are connected.



Switch on or connect the power supply.

Do an after-installation test. Refer to After-Installation Test.

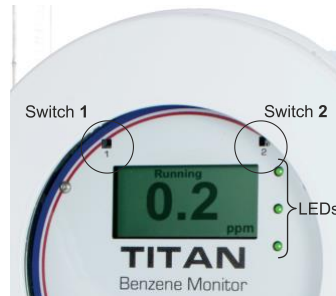
Operating the Titan

Switches and Display

The Titan front face has:

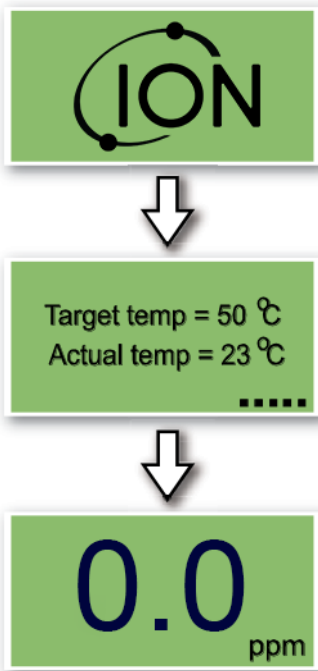
- An LCD display,
- two switches, magnetically operated,
- three LEDs.

All three LEDs work together and display the same colour.



LEDs Green	Titan is operating correctly.
LEDs Yellow	Titan has an operational fault. An alert signal and the name of the fault is on the screen.
LEDs Red	The measured level of benzene is above the alarm threshold.

Power on



When power is turned on, the Titan displays the 'Ion Science' logo followed by the firmware version.

The Titan then starts to heat the AirSep filter. Normal operation cannot start until it reaches the target temperature. This will usually take a few minutes.

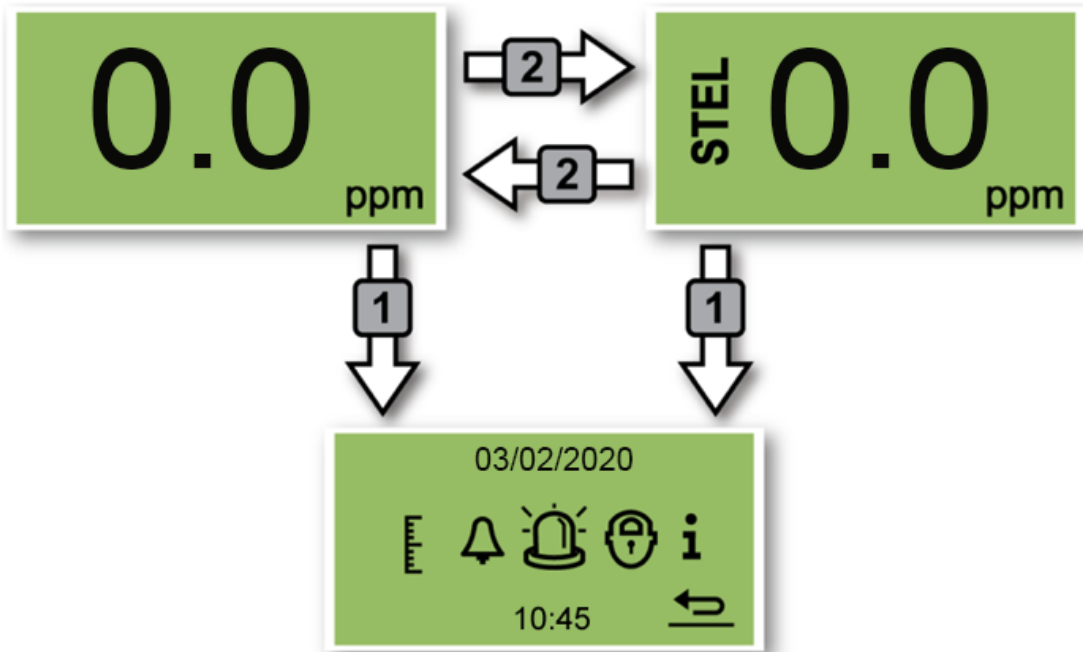
Normal operation starts when it is stable at the target temperature. The Titan then displays the ambient benzene level in parts per million (ppm). This updates once per minute.

Main screens and main menu

The actuation magnet supplied with the Titan operates the magnetic switches through the front cover.

On the main operation screen:

- Select Switch 2 to toggle between the current reading and the calculated STEL (Short-Term Exposure Limit) over the previous 15 minutes.
- Select Switch 1 to go to the main menu.



Menu Icons

	ICON ready to select or toggle		Return to previous screen		Information
	Calibration		Alarm Test		4-20mA comms system
	Alarm		Alarm 1		Alarm 2
	Lock		Unlock		Titan Display
	Relay		Relay 1		Relay 2

Navigation

The actuation magnet supplied with the Titan operates the magnetic switches through the front cover.

- Use Switch 1 to move to the next icon or value (options).
- Use Switch 2 to select an option or toggle between values.

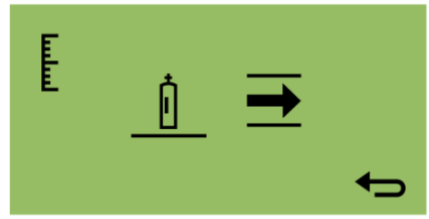
The icon or value ready for selection is shown by an underline

Select the arrow to return the previous screens.

Calibration



Select the Calibration icon to go the calibration menu.



Select the bottle icon to go to the Benzene calibration screen.

Benzene Calibration



For accuracy over the full range; Ion recommends a bottle of 5ppm benzene. The software allows you to use any benzene concentration from 0.1 to 20.0ppm, if your application has different requirements.

Attach the bottle before you start calibration. This ensures the benzene is flowing through the Titan system before the start of the calibration.

Connect the bottle to the hydrophobic filter on the inlet flame-arrestor of the Titan. Use a fixed-flow regulator that delivers more than 300mL/min. A demand-flow regulator will not perform correctly and can damage the Titan. You will need to use a flood-leak with a carbon filter on the leak. This is to prevent gas pressure irregularities from affecting the instrument.

Move the cursor to the ppm value. Use Switch 2 to cycle through the values to the benzene concentration of the bottle.

Select ✓ to start the calibration process.

Titan analyses the gas for a default time of 10 minutes.

You can select the return arrow icon to stop the calibration process at any time.

Once the timer has finished the new calibration will replace the previous calibration in the Detector Module.

Do a Bump Test to check the calibration. Refer to [Bump Test](#).

Flow Calibration

Ion recommends a bottle of between 5 and 10ppm benzene.



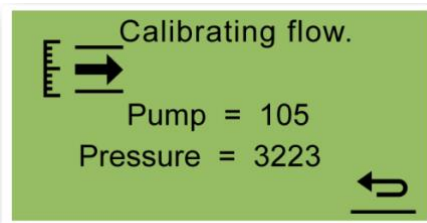
Select the flow arrow to go to the Flow calibration screen.



Attach the bottle before you start calibration. This ensures the benzene is flowing through the Titan system before the start of the calibration.

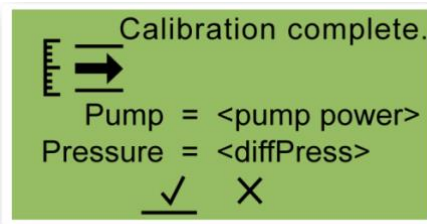
Connect the bottle to the hydrophobic filter on the inlet flame-arrestor. Use a fixed-flow regulator that delivers more than 300mL/min with a flood-leak. A demand-flow regulator will not perform correctly and can damage the Titan.

Select ✓ to start the calibration process.



The calibration process lasts between 5 and 10 minutes.

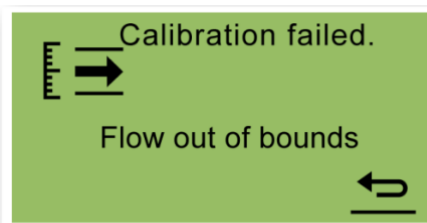
You can select the return arrow icon to stop the calibration process at any time.



Calibration is complete and successful.

Select ✓ to **save** and return to the main menu. The new calibration will replace the previous calibration in the Detector Module.

Select X to **not save** and return to main menu.



Calibration has failed for the reason shown on the screen.

Select the return arrow to return to the main menu.

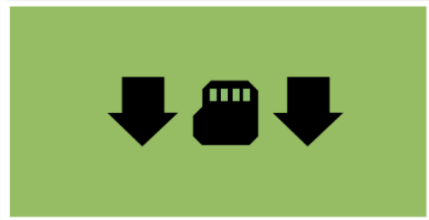
If you can correct the fault, you can start the calibration again.

Do a Bump Test to check the calibration. Refer to [Bump Test](#).

Removal of the Memory Card

You can remove the memory card from the Titan. You can then connect the card to a PC and use TitanPC software to download and read the data.

While the Memory card is removed, the Titan cannot log data.



For safe removal of the memory card, use the magnet to actuate switch 1 for 5 seconds.

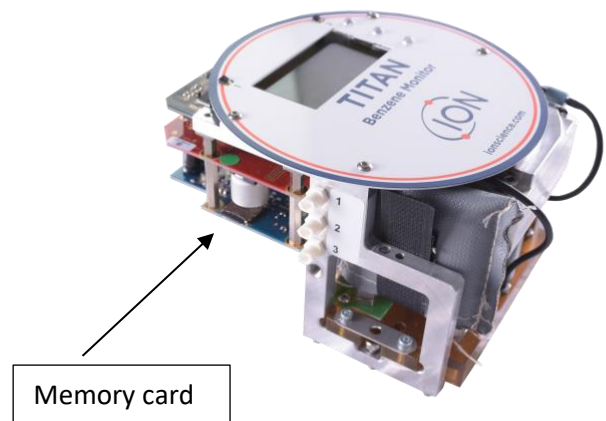
The Titan goes into safe mode. The Memory card removal screen shows when it is safe to remove the card.



When you remove the memory card, the arrows change direction to show that you must insert a card. Use the magnet to actuate switch 1 for 5 seconds to exit menu.



IMPORTANT: Fit the memory card before the service module is fitted into the EXD enclosure. The memory card is push to connect and push to release so may be pressed inadvertently during servicing. Always check the memory card is inserted correctly after servicing.



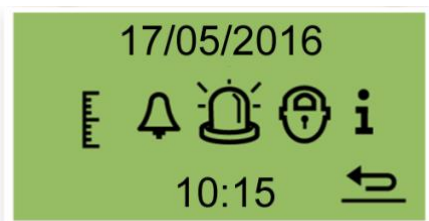
Password Lock

The password lock lets you:

- Prevent access to the calibration: so that selecting the calibration icon on the main menu will not access calibration menu.
- Prevent viewing of measured benzene levels: so the STEL and LIVE benzene displays will be blank.

You will use a 4-digit pin to turn the lock function on or off.

Titan is supplied with a default PIN of 0000 and with calibration and viewing unlocked.

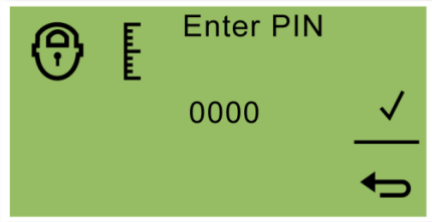


Select the lock icon on the main menu.

Lock the Calibration



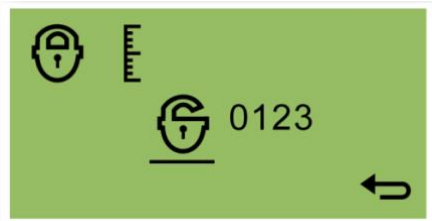
On the "Lock Select" menu, select the calibration icon to lock or unlock the calibration screens.



On the "Enter PIN" screen, use Switch 2 to cycle through the values to set the first digit. Use Switch 1 to move to the next digit.

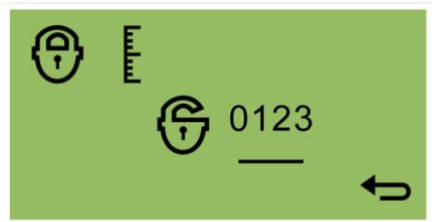
The factory-set default is 0000.

When all the digits are set, Select ✓ to go to the "Lock/Unlock" screen.



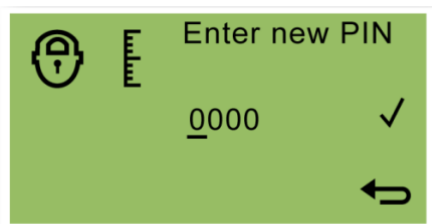
On the "Lock/Unlock" screen use Switch 2 to toggle between locking and unlocking the calibration.

Then select return to go to the "Lock Select" screen.



To change the PIN, use Switch 1 to navigate to the PIN number icon then use Switch 2 to select it.

This will take you to the "Enter new PIN" screen.



On the "Enter new PIN" screen, use Switch 2 to cycle through the values to set the first digit. Use Switch 1 to move to the next digit.

When all the digits are set:

- Select ✓ to save the PIN and return to the "Lock screen
- Select ↩ to return to the lock screen without saving the PIN.

Lock the STEL and LIVE Displays



On the "Lock Select" menu, select the Titan Display icon to prevent or allow viewing the STEL and LIVE values on the screen.



On the "Enter PIN" screen, use Switch 2 to cycle through the values to set the first digit. Use Switch 1 to move to the next digit.

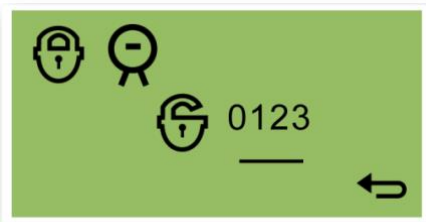
The factory-set default is 0000.

When all the digits are set, Select ✓ to go to the "Lock/Unlock" screen.



On the "Lock/Unlock" screen use Switch 2 to toggle between locking and unlocking the display.

Then select return to go to the "Lock Select" screen.



To change the PIN, use Switch 1 to navigate to the PIN number icon then use Switch 2 to select it.


This will take you to the "Enter new PIN" screen.



On the "Enter new PIN" screen, use Switch 2 to cycle through the values to set the first digit. Use Switch 1 to move to the next digit.

When all the digits are set:

- Select ✓ to save the PIN and return to the "Lock screen"

Select  to return to the lock screen without saving the PIN.

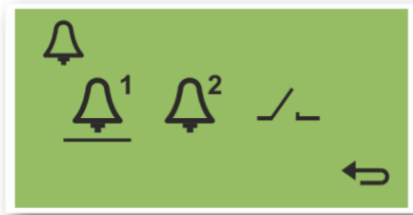
Alarms and Relays

The alarms and relays are individually programmable to the settings required by the site policy. You can choose either alarm to energize either relay. The default settings would be. When the Titan is not powered the default state of relay 1 is N/C, the default state of relay 2 is N/O.

- Alarm 1: 5.0ppm live
- Alarm 2: 0.5ppm STEL
- Relay 1: Alarm 1, N/O
- Relay 2: Alarm 2, N/O

Both relays can be programmed to be Normally Open or Normally Closed.

Alarm or Relay Selection



Select:

- Alarm 1
- Alarm 2
- Relays

That takes you to the configuration screen for that item.

Alarm Configuration

The configuration procedure for Alarm 1 is shown. Alarm 2 is the same.



Toggle between:

- STEL
- LIVE

Move the cursor to the value.

Use Switch 2 to cycle through the values to the target value.

Alarm starts when the STEL concentration is equal to or greater than target value.

Alarm starts when the current concentration is equal to or greater than target value.

STEL:

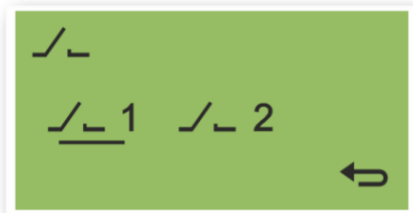
LIVE:

-- ppm:

The target value concentration.

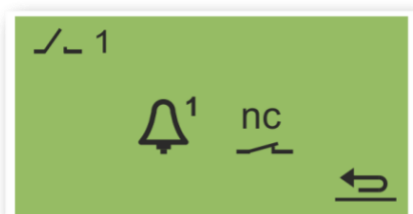
Relay Configuration

This menu lets you set which relay each alarm operates and whether the relay is normally open (NO) or normally closed (NC).



Select Relay 1 or Relay 2.

That takes you to the configuration screen for that relay.



Select the Alarm Icon.

Toggle between:

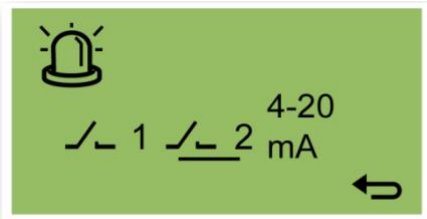
- Alarm 1
- Alarm 2
- Instrument FAULT.

Select the contacts Icon.

Toggle between NO and NC.

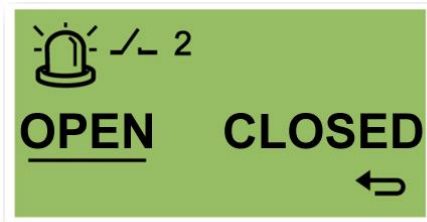
Relays and 4-20mA Test

Do a test of the relay and the 4-20mA systems to check for correct installation and function.




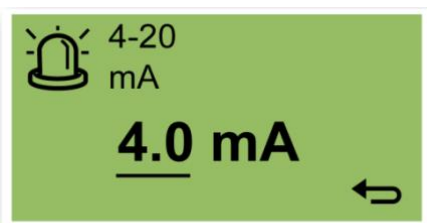
Select Relay 1, Relay 2 or 4-20mA.

That takes you to the test screen for the relay or 4-20mA system.




On the Relay test screen, toggle between OPEN and CLOSED to manually operate the relay.

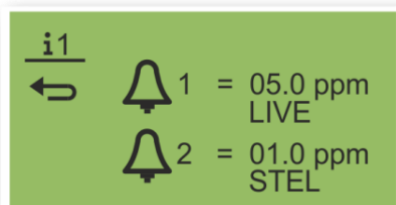
When you return  to the previous screen, the system returns to normal operation.



On the 4-20mA test screen, use switch 2 to cycle through the output values. The 4-20mA output changes to the value displayed.

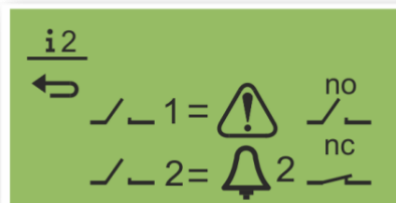
When you return  to the previous screen, the system returns to normal operation.

Information Pages



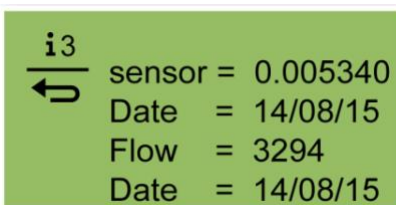
Information Page 1

Alarm 1 configuration settings
Alarm 2 configuration settings



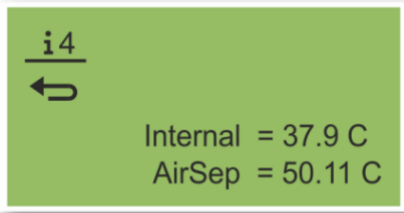
Information Page 2

Relay 1 configuration settings
Relay 2 configuration settings



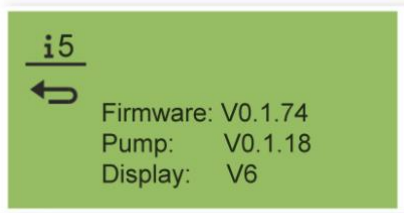
Information Page 3

Sensor calibration value
Sensor Calibration date
Flow Calibration value
Flow calibration date



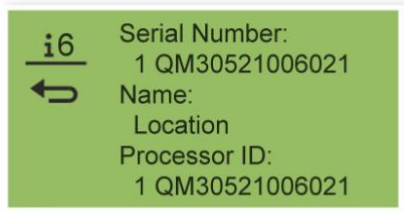
Information Page 4

Titan internal temperature
AirSep temperature



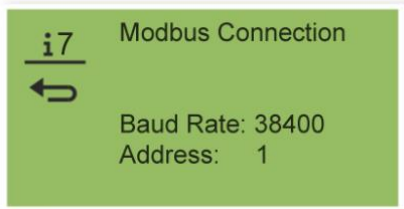
Information Page 5

Firmware version number
Pump Driver Board Version Number



Information Page 6

Instrument serial number
User settable location
Processor serial number



Information Page 7

Baud rate
Modbus address

Fault Indications



If there is a fault:

- The three LEDs show Yellow
- The main screen changes to a - Warning Screen and gives the name of the fault at the bottom. Use the Fault Name to find information from the [Fault Diagnostics](#) section of this manual.

Alarm Indications



If the benzene level exceeds one of the two target concentration values selected during Alarm Configuration:

- The three LEDs on the front panel show red.
- An alarm symbol and the alarm number, is displayed in the top right of the screen.
- If a relay is associated with the alarm, it is energized.
- Benzene detection continues.
- The alarm is only raised if the current cycle is above the alarm thresholds.

Service Period Reminder



Titan counts continuous days of operation. When it reaches 180 days:

- The screen changes to "Service Required"
- The three LEDs on the front panel show yellow.

Only a Service Centre can reset it.

TitanPC Software

The TitanPC software lets you connect to the Detection Module to:

- Calibrate the module
- View and download the detection and fault histories stored in the module
- Set the operating thresholds of the alarms and relays
- Adjust the time and date settings in the module clock
- Give the module an identification appropriate to its installation
- Upgrade the operating firmware on the module.

Minimum requirements

TitanPC Software works on PCs or laptops with operating systems:

- Windows XP (no longer supported),
- Windows Vista
- Windows 7
- Windows 8 / 8.1

Connect the Titan to the PC

1. Install the Detector Module into the Test Housing Module.
2. Connect the USB or RS485 output to the PC.
3. Connect or switch on the power supply.
4. Start TitanPC.











Starting the Software

After installation, click on the TitanPC icon  on the desktop to start the software.

TitanPC shows a start-up window while loading the software, then the Main Operation Window when ready for use.




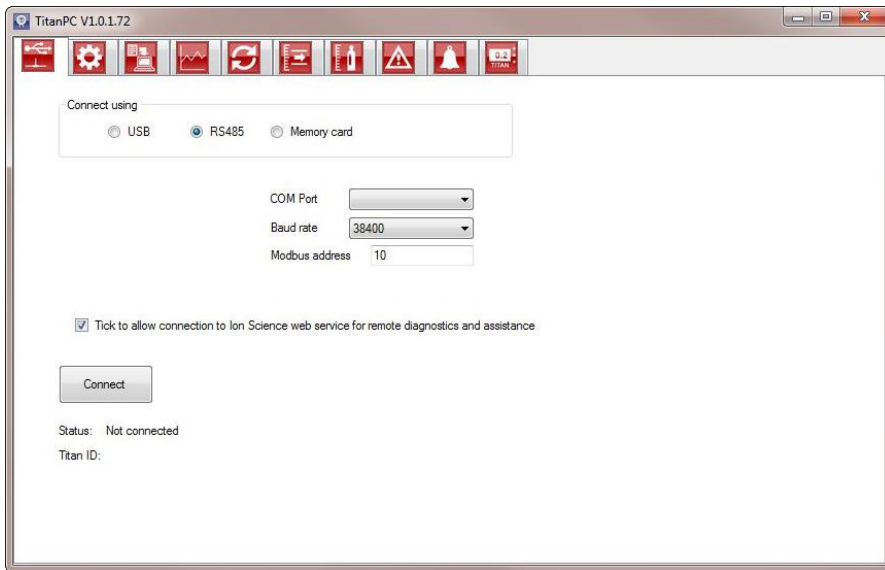
TitanPC shows ten icons at the top of the window. Click on an icon to see the window you want.

- | | | | |
|---|------------------|---|-------------------------------|
|  | Connection |  | Benzene Calibration |
|  | Settings |  | Fault Log |
|  | Data Download |  | Alarm and Relay Configuration |
|  | Upgrade |  | Data View |
|  | Flow Calibration |  | Virtual Display |

Data Connection



Click the  icon for the Connection window.



Click on the radio button for USB or RS485, to select the connection type.

- RS485 is normally used when the Test Housing Module is a permanent installation The default address of the Titan is 10
- USB is normally used for a bench-top set-up or connect a PC/Laptop to a Detector Module in its normal, installed position.

Click on the "Connect" button to manually connect to the Titan.

If connection is successful, it will show the status and ID of the Titan.


Or you can remove the memory card from the Titan (Refer to

[Removal of the Memory Card](#)) and insert it into the pc. Then select Memory Card and click Browse to find the card location. After connection, you can download and view the data on the card.

If Titan is connected via USB, and the PC is connected to the internet, you can tick the check-box to allow Ion Service Support to remotely connect to the Titan to view factory level data and configuration values.

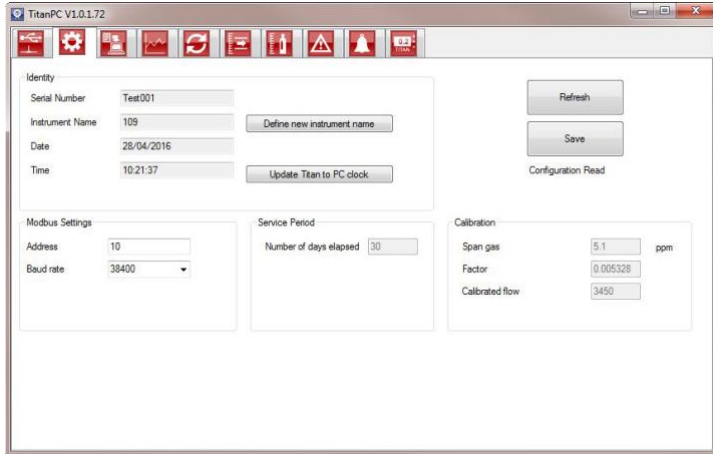
Settings



Click the  icon for the Settings window.

The software should automatically scan for data when started. The "Read from Titan" button lets you manually scan for data, if necessary.

When the software has successfully connected to the Titan, the serial number, instrument name and instrument date and time are displayed.



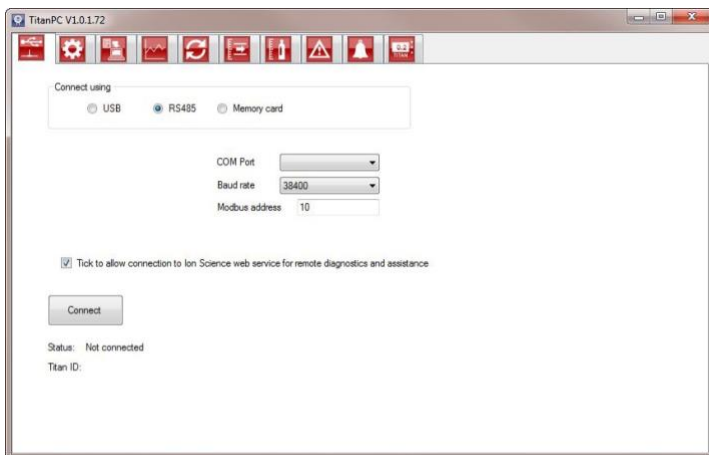
You can change the instrument name to something more meaningful (for example, 'Area 1 Monitor').

You can change the Titan date and time to the same as the PC clock.

Modbus: Change address and baud rate

Service period: Displayed in days since last service

Calibration value: Test gas concentration, sensor calibration factor and flow calibration factor




NOTE:

1. The Titan internal clock is automatically set during calibration using TitanPC. Without external power, Titan can only store the current date and time for a maximum of 12 hours.

Data Download

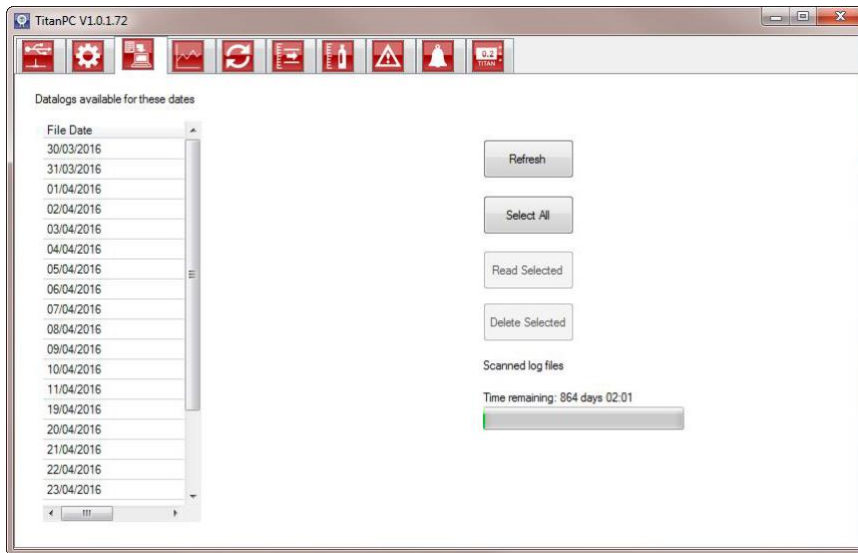


Click on the  icon for the Data Download window.

When data is available to download, a list of the available dates is displayed under "File Date" on the left.

If necessary, click "Refresh" to scan the instrument for fresh data.

Click on the available dates to select the data you want.



Use standard windows functions to select groups of dates, e.g.:

- For consecutive files click the first one, hold down the Shift Key [Shift] and click on the last file you want.
- For non-consecutive files, hold down the Control Key [Ctrl] and click on each file you want.

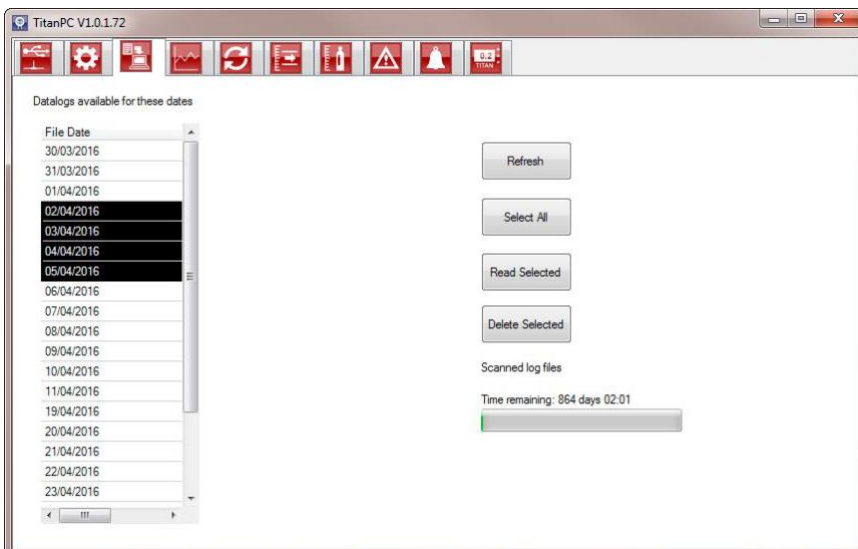
Or click the "Select All" button if you want all the files.

After selecting the files:

Click "Read Selected" to download the files to the PC


Click "Delete Selected" to delete the files.

The bar at the bottom of the screen indicates how much memory is used/unused in the Titan.



Data View



Click on the  icon for the Data Download window.



Data View allows you to view, print or save pictures of graphs of the data in files downloaded from Titan using Data Download. You can change the presentation to how you want to see it.

Click the 'Open File' button and select a file from the list.

TitanPC shows the data as a graph, or graphs superimposed on each other using the same time-axis. Each data-set has its own, colour-coded, axis on the left. Fault groups (refer to

TitanPC Fault Groups) are shown in a bar-graph at the top of the screen.

The tick-boxes at the top let you choose which graphs you see.

Hold down the left mouse button to grab and drag the graph around the screen. Use the mouse wheel to zoom in and out.

There are 5 control buttons at the top right of the screen:



Scales – adjustment of data-axis scales.

Click on this to manually adjust the axis of each data-set.

In the pop-up window, click on the arrows, or type-in numbers to change the maximum and minimum values of the scale. Click the 'Auto Scale' button to revert to the default values.



Zoom to fit (Auto-scale).

Click this to reset the graph to make all data visible (Auto-scale).



Zoom.

Click this to zoom-in on an area of the graph. The cursor changes to a magnifying glass when over the graph. Hold down the left mouse button to draw a rectangle around the area you want to enlarge. Click the Zoom button again to leave zoom mode.



Print.


Click this to print the view you have on the screen.

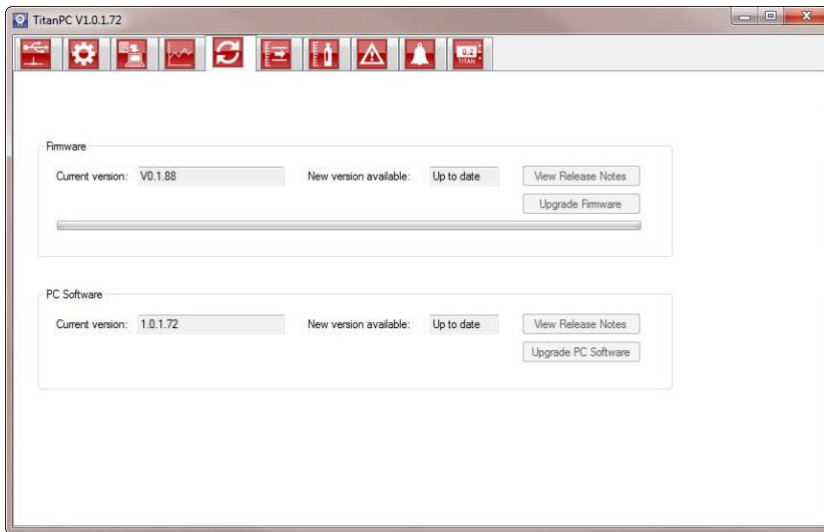


Save as a Picture.

Click this to save the view you have on the screen, as a picture. You can save in jpg, emf, bmp, tif, png, or gif format.

Upgrade

Click on the  icon for the Upgrade window.



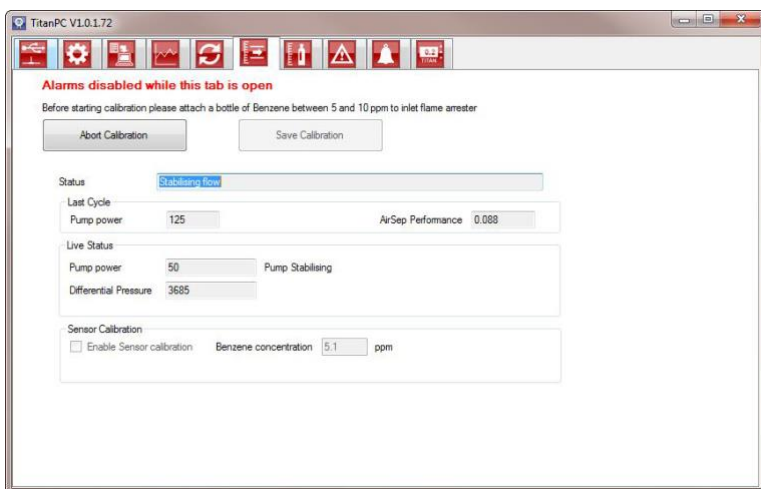
If the PC is connected to the internet TitanPC will automatically detect if a new version of firmware or software is available.

If new firmware or software is available, you can view the release notes or do an upgrade.

Flow Calibration



Click on the icon for the Flow Calibration window.



Attach a bottle of between 5 and 10ppm Benzene to the inlet flame-arrestor before you start calibration. This ensures the benzene is flowing through the Titan system before the start of the calibration.

Click the "Start Calibration" button. The text on the button will change to "Abort Calibration." You can click the button again to any time to stop the calibration and reset the screen to its original state.

"Last Cycle" shows the pump power and AirSep Performance value for the previous cycle.

If the AirSep Performance value is larger than the specified configuration value then the calibration will fail.

"Live Status" shows the applied pump power and measured differential pressure of the current cycle. If the pump cannot run between the limits of 'Minimum Pump Power' and 'Maximum Pump Power' then the calibration will fail.

"Sensor Calibration" If you tick "Enable Sensor Calibration" and type-in the Benzene concentration of the bottle, TitanPC will calibrate the sensor after the Flow Calibration.

The "Save Calibration" button is not active until the calibration is complete and successful. The new calibrated flow will not replace the old setting in the Detector Module until you click the button. The text "Calibration Saved" will then appear next to the button.

The Status, Pump power and Differential pressure stay on the screen until you start a new calibration.

Do a Bump Test to check the calibration. Refer to [Bump Test](#).


During the procedure the **"Status"** message shows:

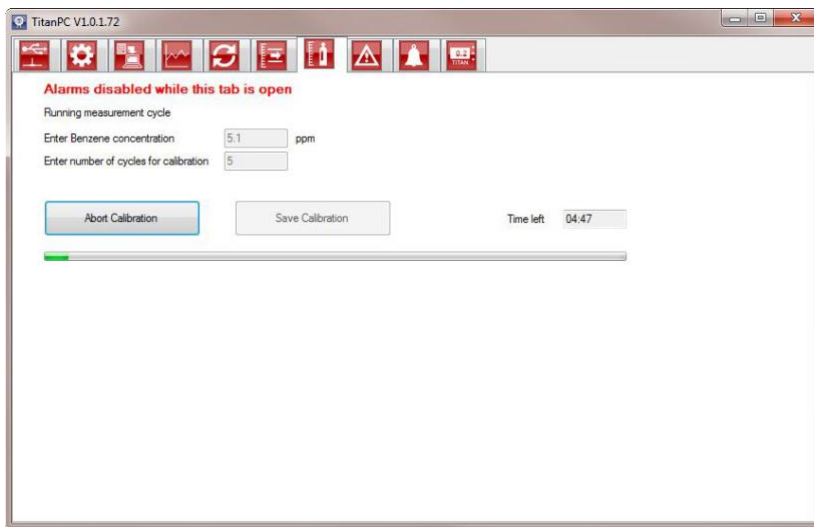
"Instrument ready"	When there is a Detector Module connected to TitanPC.
"Stabilising flow"	When the pump power has been adjusted and the software is waiting for stable flow conditions.
"Running measurement cycle"	When the software is doing a measurement cycle.
"Calibration successful"	When the calibration is complete and successful.
"Calibration failed: AirSep fault"	When the calibration diagnoses a failure of the AirSep.

<p>“Calibration failed: pump power high”</p>	<p>When calibration diagnoses that the pump power required for a working flow is too high.</p>
<p>“Calibration failed: pump power low”</p>	<p>When calibration diagnoses that the pump power required for a working flow is too low</p>

Benzene Calibration



Click on the  icon for the Benzene Calibration window.



Ensure the Detector Module clock is set to the correct date and time.

Ensure the flow is successfully calibrated before you do Benzene Calibration.

For accuracy over the full range; Ion recommends a bottle of 5ppm benzene. The software allows you to use any benzene concentration from 0.1 to 20.0ppm, if your application has different requirements. Titan analyses the gas for a default of 5 cycles (10 minutes). If the tube or inlet probe between bottle and Titan is long, you can increase the cycles to ensure a stable gas flow. (Contact Ion Science or your Service Center)

Attach the bottle before you start calibration. This ensures the benzene is flowing through the Titan system before the start of the calibration.

Connect the bottle to the hydrophobic filter on the inlet flame-arrestor of the Titan. Gas bottles should be fitted with a fixed-flow regulator that delivers more than 300mL/min with a flood-leak. A demand-flow regulator will not perform correctly and can damage the Titan.

Type-in the benzene concentration of the bottle and the cycles required.

Click on the "Start Calibration" button.


The screen shows the "Time Left" and the progress bar at the bottom.

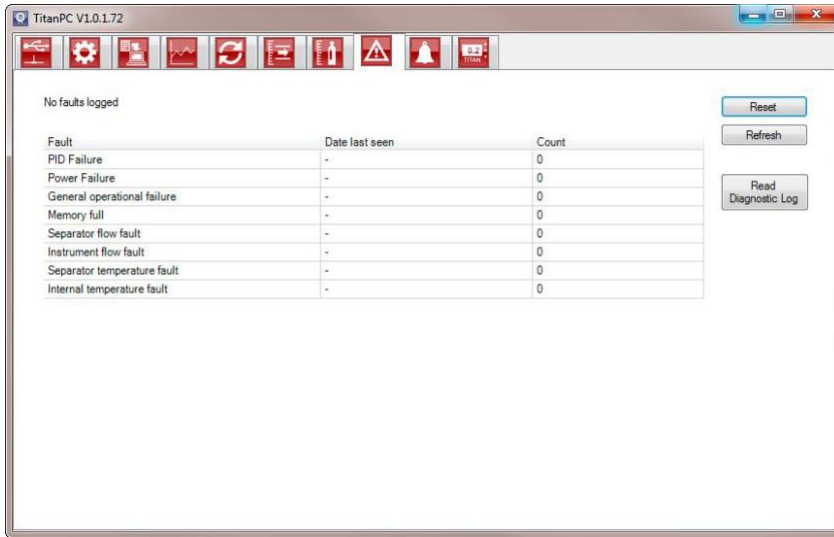
At the end of the calibration the option to "Save" will show on the screen. The new calibration will not replace the previous calibration in the Detector Module if you do not click the Save button.

Do a Bump Test to check the calibration. Refer to [Bump Test](#).

Recorded Faults



Click on the  icon for the Recorded Faults window.



This screen shows the last date a fault occurred and how many times it has occurred.

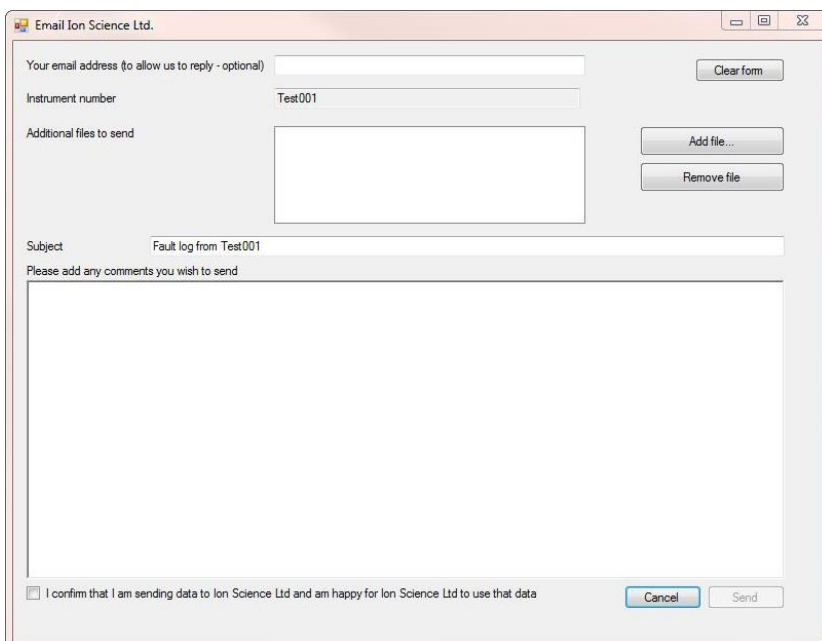
Click "Refresh" to scan for the latest fault data.

Click "Reset" to clear all the fault reports to zero.

For more details of the fault conditions, refer to the

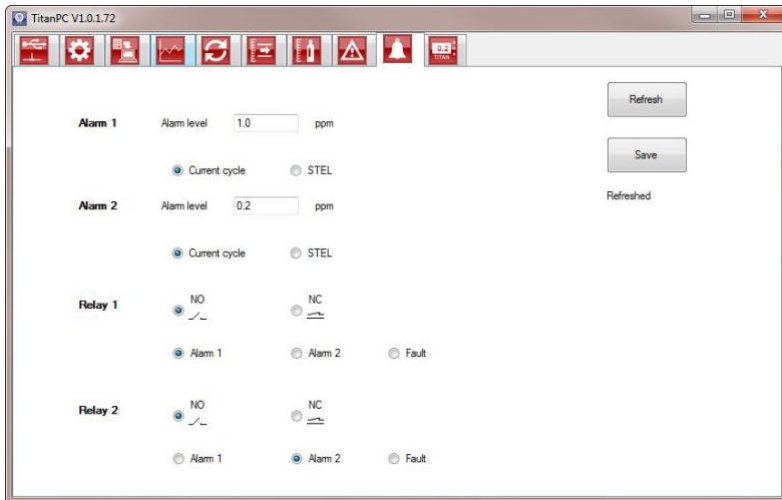
Fault Diagnostics section of this manual.

Pressing the 'Read Diagnostic Log' button opens the following screen. The diagnostic file and comments can be sent to Ion Science or to an e-mail of the user's choice.



Alarm Set

Click on the icon for the Alarm Set window.



You can set each alarm to operate when the STEL or Current level of Benzene reaches a set value in ppm.

- In the window, type the value to trigger the alarm.
- Click on the radio button to choose STEL or Current value as the trigger.

You can select which alarm or fault will operate each relay and whether it is normally open NO or normally closed NC.

For each relay select between:

- Alarm 1
- Alarm 2
- Instrument FAULT.

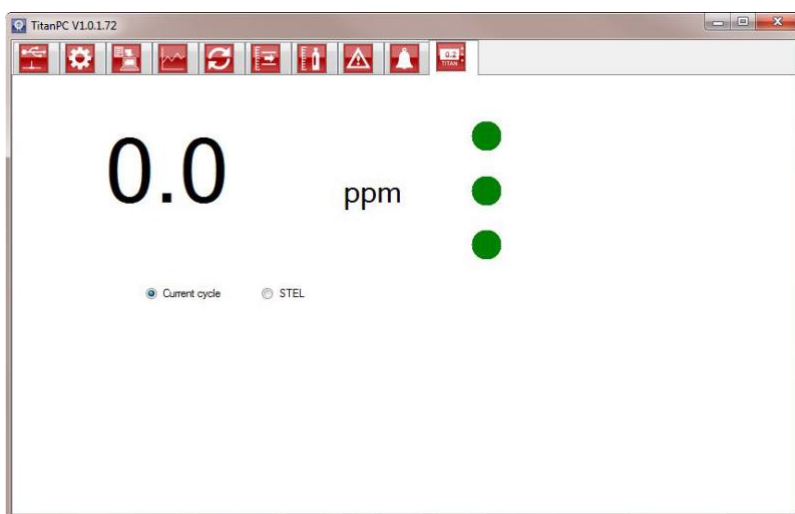
Select the contacts as NO or NC.

Click "Refresh" to reset the screen to the values in the Titan.

Click "Save" to set the Titan to the values on the screen.

Virtual Screen

Click on the icon for the Virtual Screen window.



This tab displays in real time what is displayed on the Titan screen. A radio button allows the user to switch between the current cycle reading and the calculated STEL.

Bump Test

A "Bump Test" is not a calibration. The test verifies that the Titan is accurately measuring benzene at a known concentration supplied from a bottle.

Use of the Test

Ion Science Ltd. recommend you do a Bump Test:

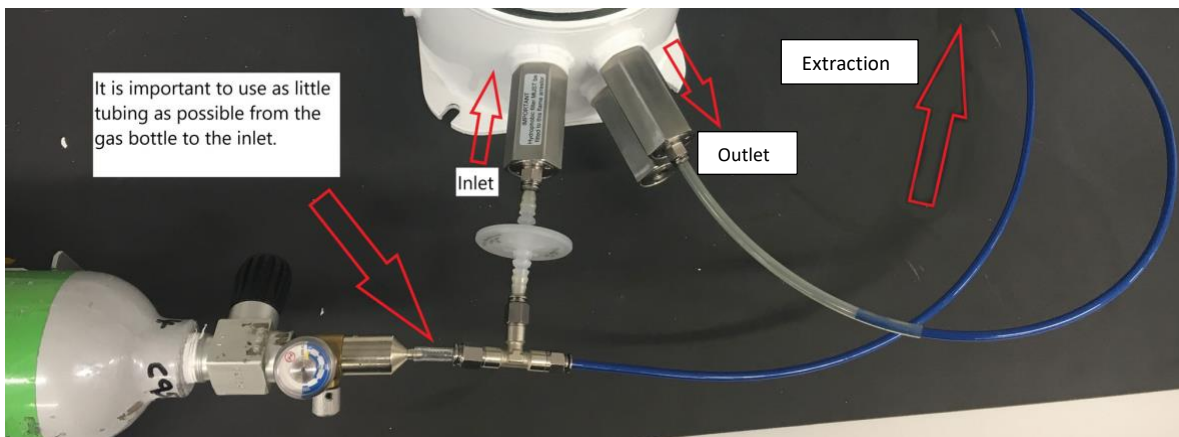
- After initial installation.
- After replacement of a Detector Module.
- Once per week. Or at a regular period specified by the installation site policy.
- If the Titan is exposed to a high gas concentration.
- If the Titan receives a large physical shock.
- If the Titan is exposed to silicone poisons.

Test Procedure

Ion Science Ltd recommended you use a bottle of 5ppm benzene equipped with a fixed-flow regulator that delivers more than 300mL/min with a flood-leak. A demand-flow regulator will not perform correctly and can damage the Titan.

You can use any concentration from 0.1 to 20.0ppm benzene, if your application has different requirements.

Connect the bottle to the hydrophobic filter on the inlet flame-arrestor. Allow 3 minutes for the reading on the Titan display to stabilize.



If the Titan does not display the gas concentration given by the bottle, calibrate the Titan to give the correct readings. Refer to:

Benzene Calibration

Flow Calibration

TitanPC Benzene Calibration

TitanPC Flow Calibration

Manually energize the relays and 4-20mA system to verify correct connection of the systems. Refer to [Relays and 4-20mA Test](#).

Fault Diagnostics

Fault and Alarm indications



If there is a fault, the main screen changes to a Warning Screen and gives the name of the fault under the warning icon.

Use the Fault Name in the table below to find the possible conditions causing the fault.

Fault Conditions

The Titan is equipped with a number of diagnostics to ensure instrument faults are detected and communicated. The table gives a fuller description of each fault and list some possible causes and corrective actions you can try.

If the fault continues, or is repeated, contact your Service Centre.

Abbreviations:

CTO = Continues to Operate. (Titan continues to operate but results might not be correct.)

Norm = Normal Operation

Fault Name and Description	Possible Causes and Corrective Actions	4-20mA signal	LED colour	CTO
Service Required:				
The Titan requires its 6-month service check.	Titan has recorded 180 days of continuous operation without a service. This can only be reset by an Ion Science Service Centre.		Yellow	Yes
Temp error:				
Ambient temperature too high. or AirSep temperature out of limits.	Ambient temp >50, Try cooling or shading the Titan to prevent overheating. AirSep temp <45 or >80 Or failed to reach temp within 180 mins, Possible thermocouple fault. Contact the Service Centre.	2.000	Yellow	Yes
Temp fault:				
Instrument temperature too high for extended period.	Ambient T >50 for 1 hour Try cooling or shading the Titan to prevent overheating.	2.125	Yellow	Yes

Sensor flow low:		2.250	Yellow	Yes
AirSep flow too low.	Check for kinks or pinches in the tube between port 3 and the inlet flame-arrester.			
Sensor flow high:		2.375	Yellow	Yes
AirSep flow too high.	Check that AirSep filter is pushed in firmly and internal tube connections are not loose. Recalibrate the flow.			
Outlet Blocked:		2.500	Yellow	Yes
Reduced flow through the outlet flame-arrester.	P3 values not correct. Check for kinks or pinches in the tube between port 4 and the outlet flame-arrester.			
Tube off:		2.625	Yellow	Yes
Increased flow through the inlet flame-arrester.	P3 values not correct. Check for leaks between the external (Hydrophobic) filter and the inlet flame-arrester. Check for leaks between the external (Hydrophobic) filter and the extended probe line, if installed. Check for any disconnected tubes within the Detector Module.			
Inlet Blocked:		2.750	Yellow	Yes
Reduced flow through the inlet flame-arrester.	P3 values not correct. Check the external (Hydrophobic) filter is not blocked. Check the extended probe line, if installed, is not blocked or kinked. Check the inlet flame-arrester for damage or blockage. Check for kinks or pinches in the tubes within the Detector Module.			

Lamp Out:		2.875	Yellow	Yes
No signal from PID Light sensor.	PID Lamp not illuminated. Sensor failure. During Titan start-up, wait at least 5 cycles for the lamp to illuminate.			
Memory full:		Norm	Red	Yes
Not enough memory space to store history.	Memory full. Use TitanPC to download or delete History Record Files.			
PID ADC Fail:		3.000	Yellow	Yes
Communication failure	Internal hardware fault. Remove the Detector Module to check that the black wiring loom is connected and not damaged.			
Step overrun:		Norm	Red	Yes
Internal hardware fault	Program code step took more than 0.5s to execute. Contact the Service Centre.			
Step error:		Norm	Red	Yes
Software fault.	Invalid sequence step. Contact the Service Centre.			
Watchdog:		3.125	Red	Yes
Software fault.	Software fault. Contact the Service Centre.			
Pump fault:		3.250	Yellow	Yes
Failed communication with pump board.	Internal hardware fault. Contact the Service Centre.			
Pump power fail:		3.375	Yellow	No
Pump power fault.	Pump board power failure. Contact the Service Centre.			

TitanPC Fault Groups

To reduce file size and memory usage, fault records are grouped together in the files stored on the Titan and downloaded to the TitanPC.

TitanPC Group Name	Faults in the Group
PID failure	Lamp out, PID ADC fail
Power failure	Pump power fail
General Operational failure	Step overrun, Watchdog, Pump fault, Step error
Memory full	Memory full
Separator flow fault	Sensor flow high, Sensor flow low
Instrument flow fault	Outlet blocked, Inlet blocked, Tube off
Separator temperature fault	Temp error
Internal Temperature fault	Temp fault

Parts List

Part	Description	Part number	Qty
Titan 875 Benzene Monitor and Accessories Kit	Installation Kit, Comprising:	TNXSXBXX-X	
	Housing Module	A-875281	1
	Detector Module	A-875245	1
	Front Cover Removal Tool	875413	2
	Transit Strap	875400	1
	Transit Strap Screws (M10x16)	2/SH10-16	2
	Switch Actuation Magnet	A-875265	1
	External (Hydrophobic) Filter	A-875417	1
	Gland Port Plug (for transportation)	4/PB-05	2
	Allen Key 2mm	4/TA-06	1
	Allen Key 3mm	4/TA-08	1
	Mounting Template	875431	
	Titan User Manual	875263	1

Titan Detector Module and Accessories Kit	Detector Module as spare, or for off-site service or calibration Comprising:	TSMXSXXXX-X	
	Titan Detector Module	A-875245	1
	Transit Case	875405	1
	Front Cover Removal Tool	875413	2
	Allen Key 2mm	4/TA-06	1
	Allen Key 3mm	4/TA-08	1
Titan Calibration Gas Kit	Comprising:	861517	
	Bottle of 5ppm Benzene		1
	Carry case		1
	Tubing		1
	Fixed-flow Regulator Flood-leak with carbon scrubber		1
Faceplate (Enhanced EMI protection)	Alternative Faceplate with increased protection against Electromagnetic Interference	875294	
Transit Case	For transporting the Detector Module without the Housing Module	875405	1
Cover Removal Tool	Tools to remove the front cover	875413	2
Actuation Magnet	Tool to operate the magnetic switches through the front cover	A-875265	1
External (Hydrophobic) Filter	Replacement External Filter	A-875417	1
Allen Key 2mm	Ball-ended Hex Wrench To remove Detector Module	4/TA-06	1
Allen Key 3mm	Ball-ended Hex Wrench To remove Detector Module	4/TA-08	1
TitanPC Software	To use a PC to calibrate and download detection and fault history (on USB stick or Ion website)		
Titan User Manual	Installation, Operating, Servicing and Fault Diagnosis Instructions	875632	1

ION Science Contact Details

UK and Head Office

ION Science Ltd
The Hive, Butts Lane,
Fowlmere,
Cambridgeshire
SG8 7SL
UK
Tel: +44 (0)1763 208503
Fax: +44 (0) 1763 290477
Web: www.ionscience.com
Email: info@ionscience.com

USA Office

ION Science Inc
4153 Bluebonnet Drive
Stafford
TX 77477
USA
Tel: +1 877 864 7710
Web: www.ionscience.com
Email: info@ionscienceusa.com

India Office

ION Science India
#1-90/B/B/3/1, Charmy
Vittal Rao Nagar
Image Hospital Lane, Madhapur,
Hyderabad – 500 081
Telangana State - India
Tel: +91 40 4853 6129
Web: www.ionscience-india.com

German Office

ISM ION Science Messtechnik
Laubach 30
Metmann-Neandertal
D-40822
GERMANY
Tel: +49 2104 14480
Fax: +49 2104 144825
Web: www.ism-d.de
Email: info@ism-d.de

Italian Office

ION Science Italia
Via delle Querce 1/g
40011
Anzola dell'Emilia (Bologna)
ITALY
Tel: +39 051 0561850
Fax: +39 051 0561851
Web: www.ionscience.it
Email: info@ionscience.it

Chinese Office

ION Science China Ltd
1101 Bldg B, Far East International Plaza
No. 317,
Xianxia Road, Shanghai
P.R. CHINA
Tel: +86 21 52545988
Fax: +86 21 52545986
Web: www.ionscience.cn
Email: info@ionscience.cn

French Office

ION Science France
41 Rue de Etoiles,
83240 Cavalaire-sur-Mer,
FRANCE
Tel: +33 6 13 50 55 35
Email: info@ionscience.fr

Manual Log

Manual Version	Amendment	Issue Date	Instrument Firmware	PC software
1.0	First Issue	01/01/2016	0.1.70	1.0.1.54
1.1	Cover - Titan image Page 6 - Declaration of conformity Page 7 - Statements Page 8 - US office address Page 12 - Warning notice Page 29 - Added graphic page 29 Page 36, 38 - Modified graphics Page 39 - Added memory location image Page 40,43, 44 - Modified / added graphics Page 47 to 59 - Replaced screen graphics			
1.1R	Logo only	01/08/2017		
1.2	Page 6 – Declaration of conformity, Page 7 – Warnings and Quality Assurance, Page 8 – Service info, Page 9 and 10 – Technical Specification & Environmental conditions table, Page 23 – Modbus Error Flags table, P26 – RS485 Connections and EMC Requirements, P29 and 30 – Electrical Connections, Page 39 – Benzene and Flow Calibration. Page 56 – Benzene Calibration, Page 59 – Test Procedure, Page 63 – Contents of Titan Calibration Gas Kit contents	03/06/2019	0.1.96	1.0.1.73
1.3	Updated into new format, updated TitanPC load up screen image and Ion logo screen, certification update	24/01/2020	0.1.96	1.0.1.76